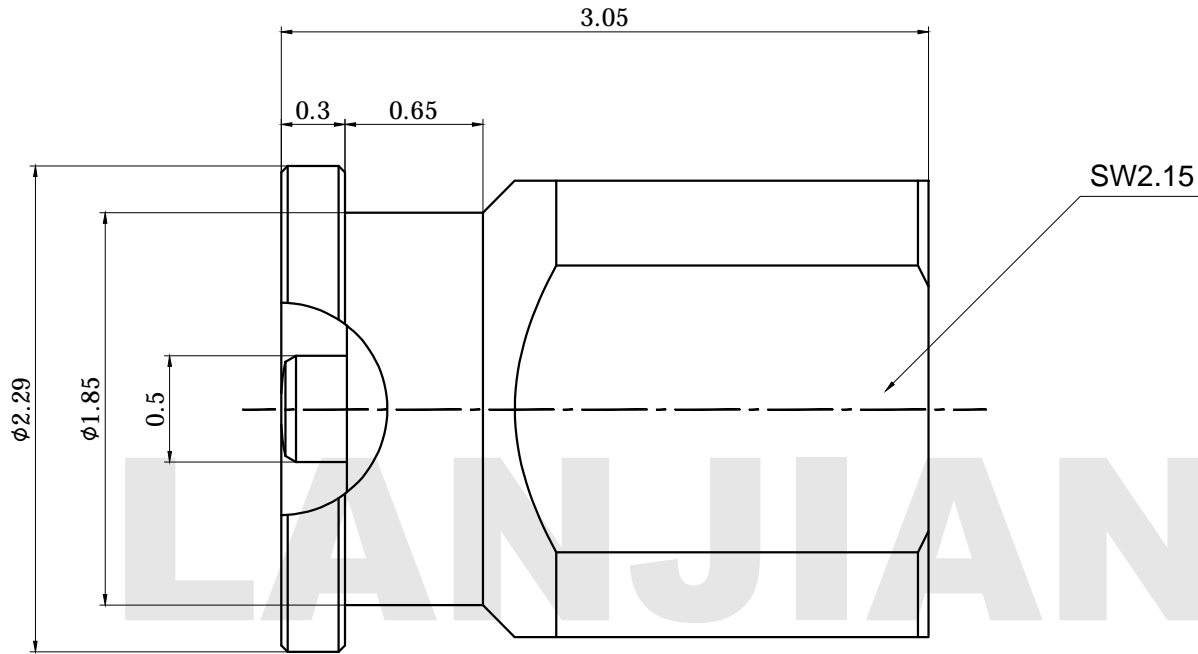


PRODUCT DATA SHEET



MATERIAL:
BODY: BRASS
CONTACT: BERYLLIUM COPPER
INSULATOR: PTEF

PERFORMANCE:
IMPEDANCE: 50 OHMS
FREQUENCY: DC TO 100 GHz
VSWR: ≤1.5

THIS DOCUMENT CONTAINS CONFIDENTIAL AND PROPRIETARY INFORMATION THAT CANNOT BE REPRODUCED OR DIVULGED, IN WHOLE OR IN PART, WITHOUT WRITTEN AUTHORIZATION FROM "LANJIAN ELECTRONICS"	MATERIAL :		
	UNLESS OTHERWISE SPECIFIED: DIMENSIONS IN MM		
	TOLERANCES :		
	X.X	± 0.20	ANGULAR : ± 1°
	X.XX	± 0.10	FILLETS R/C : ± 0.10
	X.XXX	± 0.01	SURFACE FINISH : Ra 1.6
			DEBURR AND BREAK SHARP EDGES
		NAME	DATE
		SIGNATURE	
		PROJECTION	SIZE
	SCALE		

LANJIAN ELECTRONICS
 38 Hengtong Road, Xinqu Dingmao
 Zhenjiang, 212009, Jiangsu, P. R. China

TITLE
SMPS MALE SURFACE MOUNT

DWG No.	REV.
LJE-DVP.20180720.ASMB-FD	A
DO NOT SCALE THE DRAWING	
PAGE	1 / 1