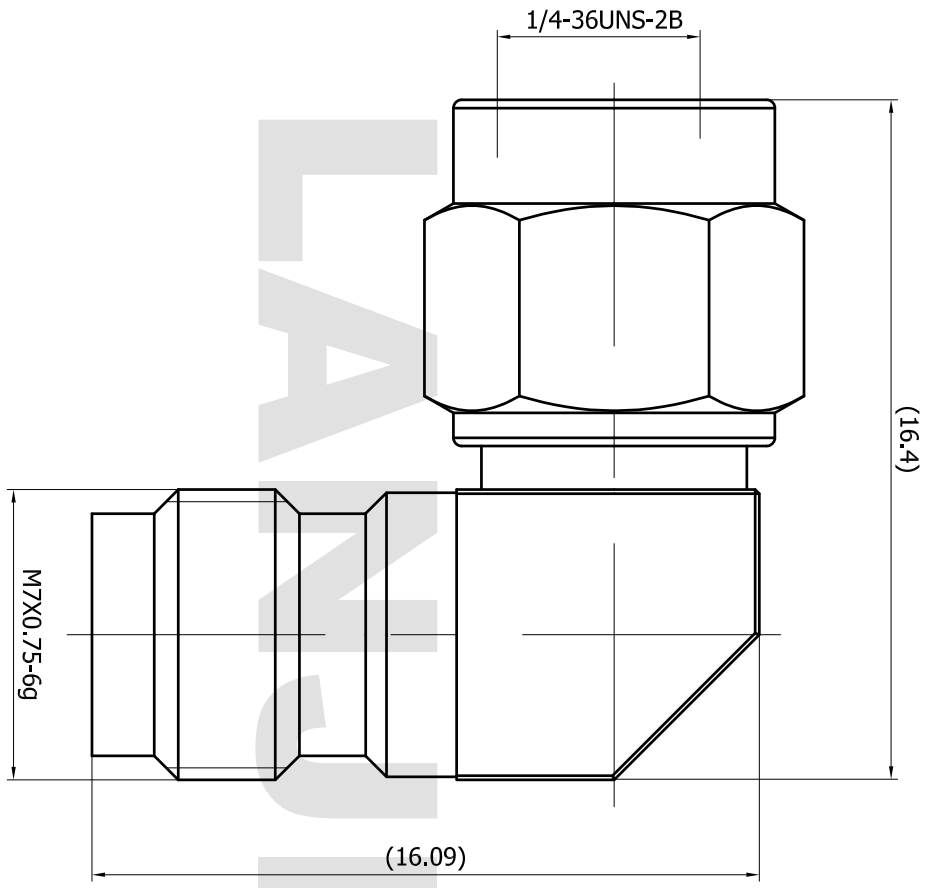


PRODUCT DATA SHEET



MATERIAL:
 BODY: STAINLESS STEEL
 CONTACT: BERYLLIUM COPPER
 INSULATOR: PEI

PERFORMANCE:
 IMPEDANCE: 50 OHMS
 FREQUENCY: DC~ TO 40 GHZ
 VSWR: ≤1.25

THIS DOCUMENT CONTAINS CONFIDENTIAL AND PROPRIETARY INFORMATION THAT CANNOT BE REPRODUCED OR DIVULGED, IN WHOLE OR IN PART, WITHOUT WRITTEN AUTHORIZATION FROM "LANJIAN ELECTRONICS"

MATERIAL :		UNLESS OTHERWISE SPECIFIED: DIMENSIONS IN MM	
TOLERANCES :		ANGULAR : ± 1°	
XX	± 0.20	FILETS R/C :	± 0.10
XXX	± 0.10	SURFACE FINISH :	Ra 1.6
X.XXX	± 0.01	DEBURR AND BREAK SHARP EDGES	
NAME	DATE	SIGNATURE	
DRAWN	X.C.W	10/24/2022	
CHKD	H.Z.Y	10/24/2022	
APPRVD	H.Z.Y	10/24/2022	
MFG			
PROJECTION	SIZE	SCALE	
	A3	8:1	

LANJIAN ELECTRONICS
 38 Hengtong Road, Xinqu Dingmao
 Zhenjiang, 212009, Jiangsu, P. R. China

TITLE
2.4/2.92-KWJ

DWG No. GCP Z3.640.C.051
 DO NOT SCALE THE DRAWING

REV. A
 1 / 1