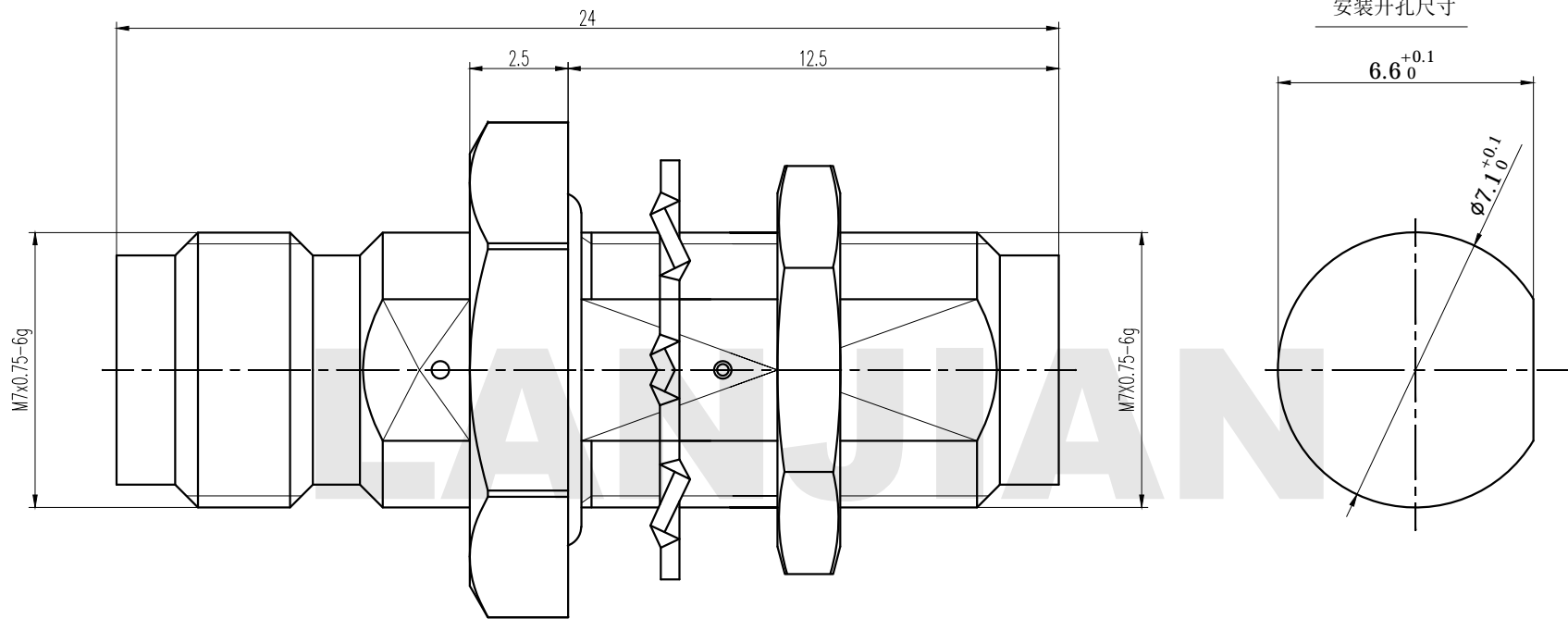


PRODUCT DATA SHEET



MATERIAL:
BODY: STAINLESS STEEL
CONTACT: BERYLLIUM COPPER
INSULATOR: PEI

PERFORMANCE:
IMPEDANCE: 50 OHMS
FREQUENCY: DC TO 65 GHz
VSWR: ≤1.50

THIS DOCUMENT CONTAINS CONFIDENTIAL AND PROPRIETARY INFORMATION THAT CANNOT BE REPRODUCED OR DIVULGED, IN WHOLE OR IN PART, WITHOUT WRITTEN AUTHORIZATION FROM "LANJIAN ELECTRONICS"	MATERIAL :		
	UNLESS OTHERWISE SPECIFIED: DIMENSIONS IN MM		
	TOLERANCES :		
	X.X	± 0.20	ANGULAR : ± 1°
	X.XX	± 0.10	FILLETS R/C : ± 0.10
	X.XXX	± 0.01	SURFACE FINISH : Ra 1.6
			DEBURR AND BREAK SHARP EDGES
		NAME	DATE
		SIGNATURE	
	DRAWN	X.C.W	08/07/2020
CHK'D	H.Z.Y	08/07/2020	
APPV'D	Q.L	08/07/2020	
MFG			
PROJECTION		SIZE	SCALE
		A3	5:1

LANJIAN ELECTRONICS
 38 Hengtong Road, Xinqu Dingmao
 Zhenjiang, 212009, Jiangsu, P. R. China

TITLE
 2.4-KKY-VS

DWG No.	GCPZ3.640.0.030	REV.	A
DO NOT SCALE THE DRAWING		PAGE	1 / 1