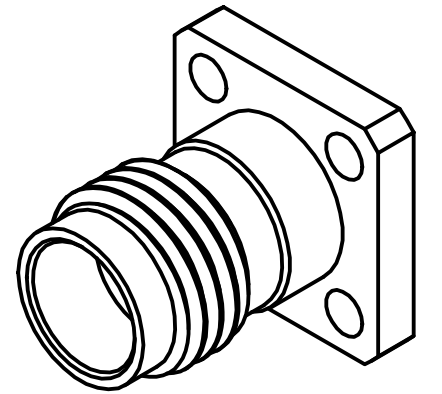
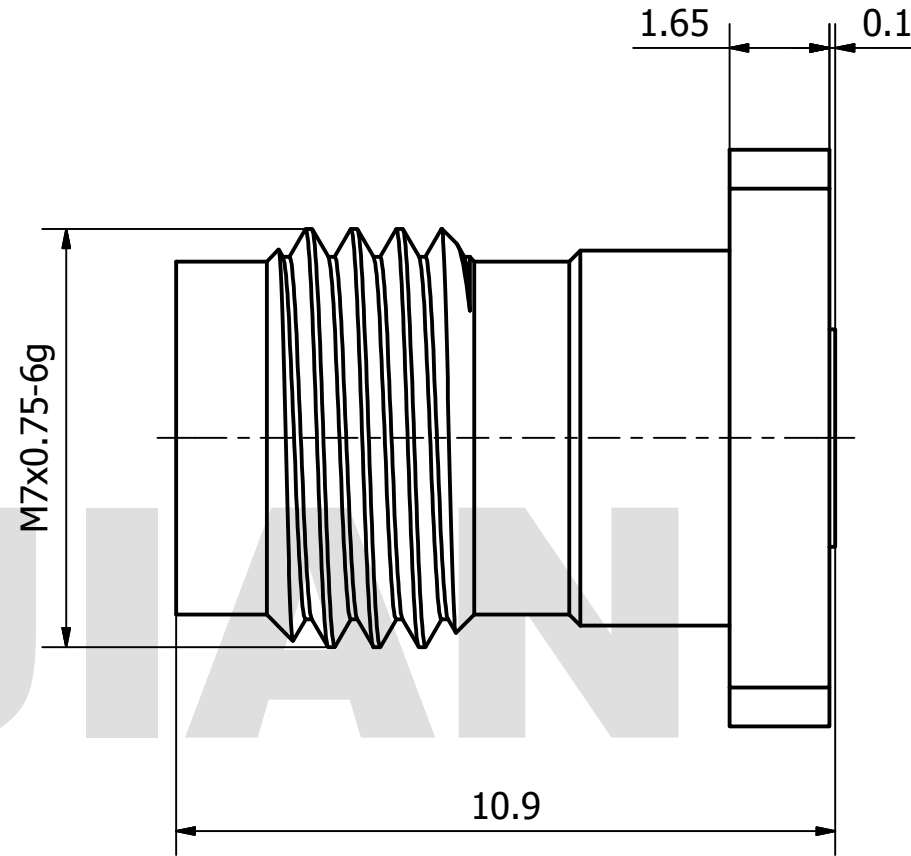
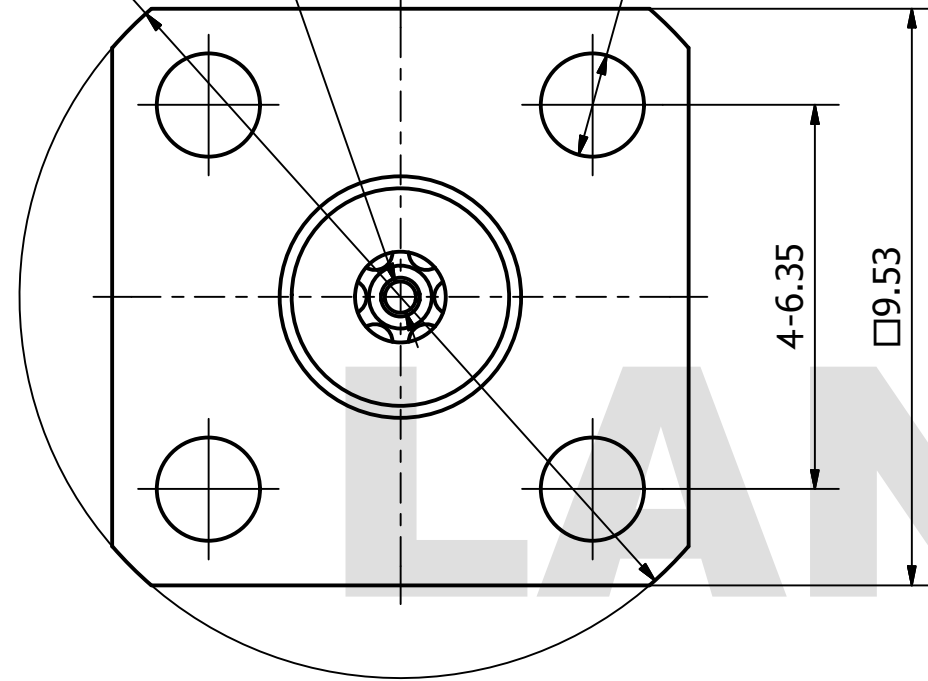


PRODUCT DATA SHEET

ACCEPTS ØA PIN

Ø12.6

4-Ø1.7



MATERIAL:

BODY: STAINLESS STEEL PER AMS-5640,
ALLOY UNS S30300

CONTACT: BERYLLIUM COPPER PER ASTM B196.
ALLOY NO. UNS C17300

INSULATOR: PEI

PERFORMANCE:

IMPEDANCE: 50 OHMS

FREQUENCY: DC TO 50 GHz

VSWR: ≤1.30

DRAWING NUMBER	GCPZ3.660.O.001	GCPZ3.660.O.002	GCPZ3.660.O.003
TITLE	2.4-KFD	2.4-KFD-1	2.4-KFD-2
A	0.51	0.3	0.23

THIS DOCUMENT CONTAINS CONFIDENTIAL AND PROPRIETARY INFORMATION THAT CANNOT BE REPRODUCED OR DIVULGED, IN WHOLE OR IN PART, WITHOUT WRITTEN AUTHORIZATION FROM "LANJIAN ELECTRONICS"	MATERIAL :			LANJIAN ELECTRONICS 38 Hengtong Road, Xinqu Dingmao Zhenjiang, 212009, Jiangsu, P. R. China
	UNLESS OTHERWISE SPECIFIED: DIMENSIONS IN MM			
	TOLERANCES :			
	X.X	±0.20	ANGULAR : ±1°	DEBURR AND BREAK SHARP EDGES
	X.XX	±0.10	FILLETS R/C : ±0.10	
	X.XXX	±0.01	SURFACE FINISH : Ra 1.6	
	NAME	DATE	SIGNATURE	TITLE 2.4-KFD-X straight flange connector
DRAWN				
CHK'D				
APPV'D				
MFG				
PROJECTION		SIZE	SCALE	DWG No.
		A3	8: 1	GCPZ3.660.O.00X
DO NOT SCALE THE DRAWING				REV.
				PAGE 1 / 1