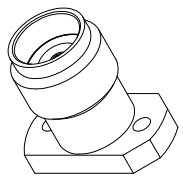
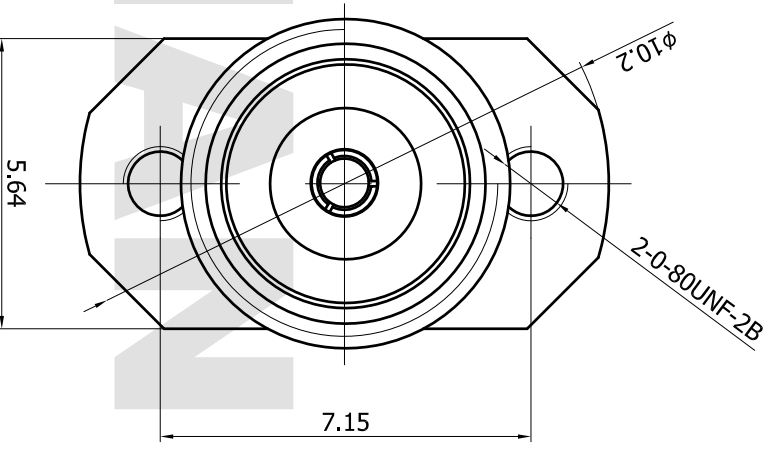
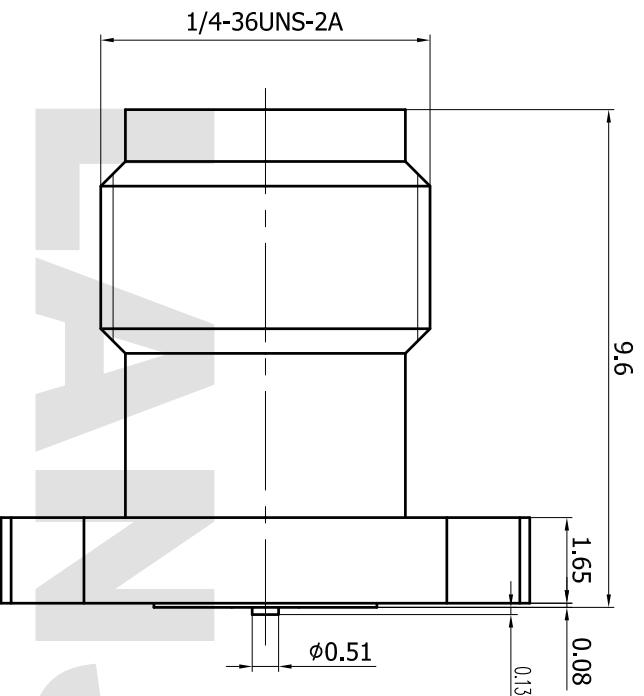


PRODUCT DATA SHEET



MATERIAL:
 BODY: STAINLESS STEEL
 CONTACT: BERYLLIUM COPPER
 INSULATOR: PEI
PERFORMANCE:
 IMPEDANCE: 50 OHMS
 FREQUENCY: DC~ TO 40 GHZ
 VSWR: ≤ 1.25

THIS DOCUMENT CONTAINS CONFIDENTIAL AND PROPRIETARY INFORMATION THAT CANNOT BE REPRODUCED OR DIVULGED, IN WHOLE OR IN PART, WITHOUT WRITTEN AUTHORIZATION FROM "LANJIAN ELECTRONICS"

MATERIAL :		UNLESS OTHERWISE SPECIFIED: DIMENSIONS IN MM	
TOLERANCES :	XX ±0.20	ANGULAR: ±1°	DEBURR AND BREAK SHARP EDGES
	XXX ±0.10	FILLETS R/C: ±0.10	
	X.XXX ±0.01	SURFACE FINISH: Ra 1.6	
DRAWN	X.C.W	DATE	SIGNATURE
CHKD	H.Z.Y	12/27/2023	
APPRVD	H.Z.Y	12/27/2023	
MFG			
PROJECTION		SIZE	A3
		SCALE	10:1

LANJIAN ELECTRONICS
 38 Hengtong Road, Xinqu Dingmao
 Zhenjiang, 212009, Jiangsu, P. R. China

TITLE
2.92-KFD2-102051P

DWG No. GCPZ3.660.C.059

DO NOT SCALE THE DRAWING

REV. B
 1 / 1