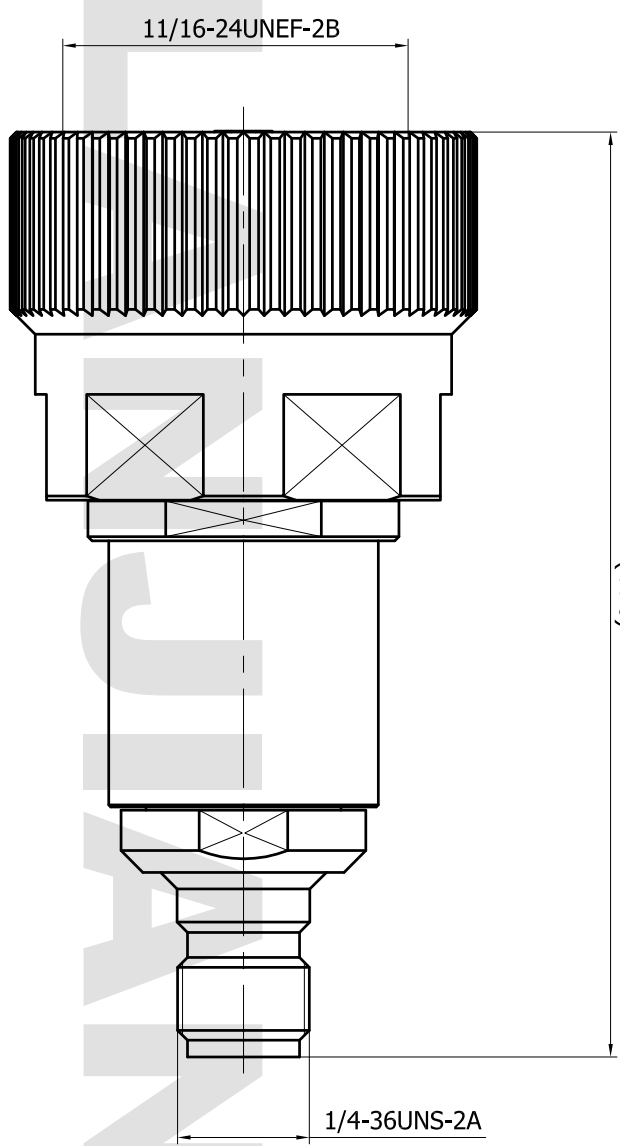


PRODUCT DATA SHEET



MATERIAL:
 BODY: STAINLESS STEEL
 CONTACT: BERYLLIUM COPPER
 INSULATOR: PTFE
PERFORMANCE:
 IMPEDANCE: 50 OHMS
 DC TO 18GHz
 FREQUENCY: ≤1.2

THIS DOCUMENT CONTAINS CONFIDENTIAL AND PROPRIETARY INFORMATION THAT CANNOT BE REPRODUCED OR DIVULGED, IN WHOLE OR IN PART, WITHOUT WRITTEN AUTHORIZATION FROM "LANJIAN ELECTRONICS"

MATERIAL :		UNLESS OTHERWISE SPECIFIED: DIMENSIONS IN MM	
TOLERANCES :		ANGULAR : ±1°	
XX	±0.20	XX	FILETS R/C : ±0.10
XXX	±0.10	XXX	SURFACE FINISH : Ra 1.6
X.XXX	±0.01		DEBURR AND BREAK SHARP EDGES
NAME	DATE	SIGNATURE	
DRAWN X.C.W	11/15/2022		
CHKD H.Z.Y	11/15/2022		
APPRVD H.Z.Y	11/15/2022		
MFG			
PROJECTION	SIZE	SCALE	
	A3	8:1	

LANJIAN ELECTRONICS
 38 Hengtong Road, Xinqu Dingmao
 Zhenjiang, 212009, Jiangsu, P. R. China

TITLE
 7mm/SMA-K

DWG No. GCPZJ.640.D.043

DO NOT SCALE THE DRAWING

