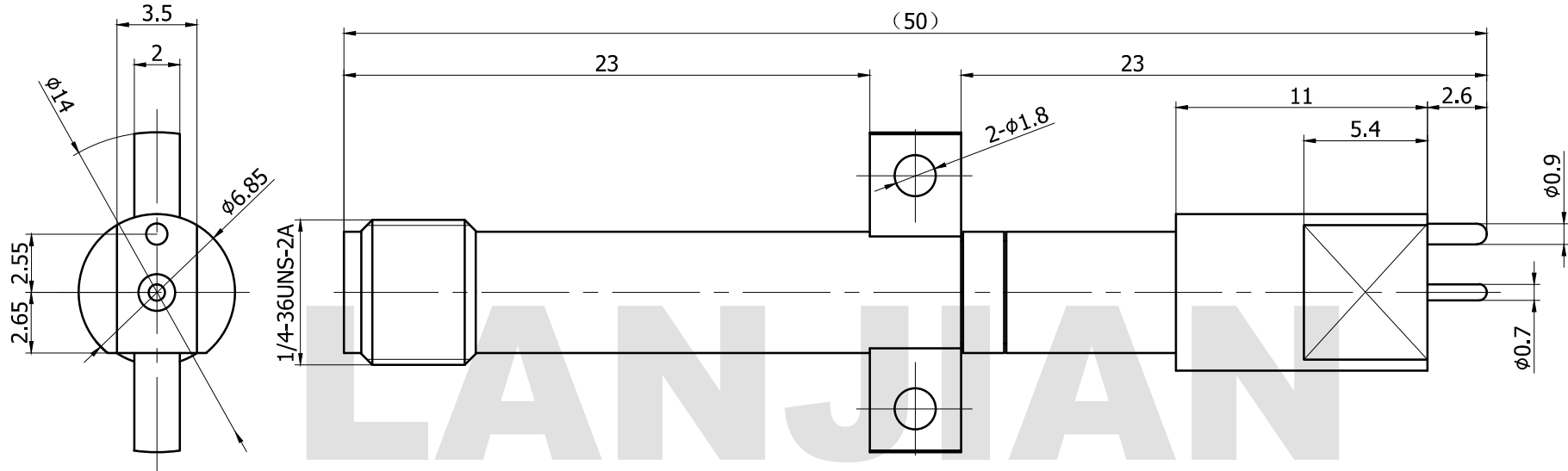


# PRODUCT DATA SHEET



**MATERIAL:**

BODY: BRASS  
 CONTACT: BERYLLIUM COPPER  
 INSULATOR: PEI /PTFE

**PERFORMANCE:**

IMPEDANCE: 50 OHMS  
 FREQUENCY: DC TO 6 GHz  
 VSWR:  $\leq 1.25$

THIS DOCUMENT CONTAINS CONFIDENTIAL AND PROPRIETARY INFORMATION THAT CANNOT BE REPRODUCED OR DIVULGED, IN WHOLE OR IN PART, WITHOUT WRITTEN AUTHORIZATION FROM "LANJIAN ELECTRONICS"	MATERIAL :		
	UNLESS OTHERWISE SPECIFIED: DIMENSIONS IN MM		
	TOLERANCES :		
	X.X	$\pm 0.20$	ANGULAR : $\pm 1^\circ$
	X.XX	$\pm 0.10$	FILLETS R/C : $\pm 0.10$
	X.XXX	$\pm 0.01$	SURFACE FINISH : Ra 1.6
			DEBURR AND BREAK SHARP EDGES
		NAME	DATE
		SIGNATURE	
		PROJECTION	SIZE
	SCALE		

**LANJIAN ELECTRONICS**  
 38 Hengtong Road, Xinqu Dingmao  
 Zhenjiang, 212009, Jiangsu, P. R. China

TITLE

**SMA-KFD2-140070SP**

DWG No.	REV.
	<b>A</b>

DO NOT SCALE THE DRAWING

PAGE 1 / 1