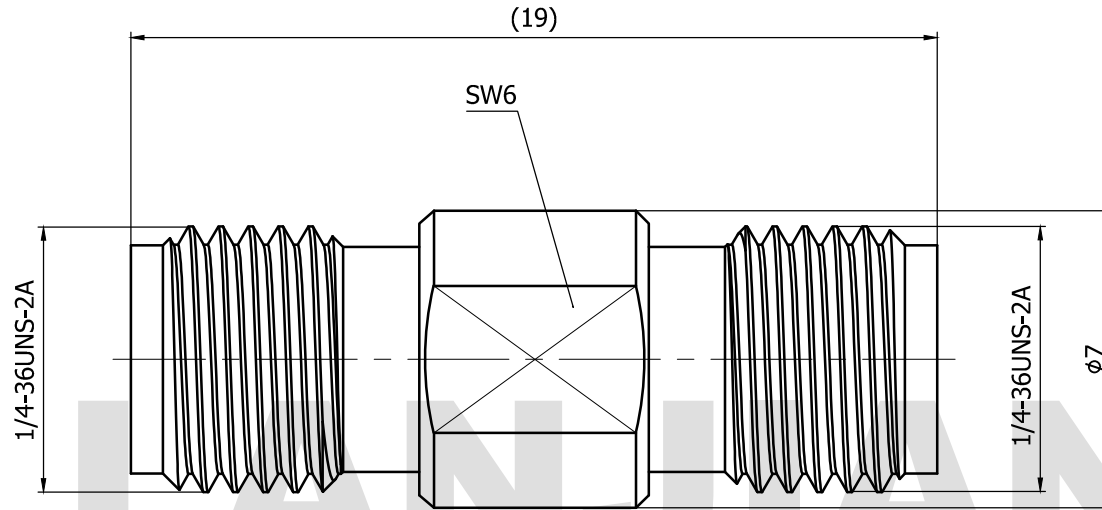


# PRODUCT DATA SHEET



**MATERIAL:**  
 BODY: STAINLESS STEEL /BRASS  
 CONTACT: BERYLLIUM COPPER  
 INSULATOR: PTFE  
**PERFORMANCE:**  
 IMPEDANCE: 50 OHMS  
 FREQUENCY: DC TO 18 GHz  
 VSWR: ≤1.20

THIS DOCUMENT CONTAINS CONFIDENTIAL AND PROPRIETARY INFORMATION THAT CANNOT BE REPRODUCED OR DIVULGED, IN WHOLE OR IN PART, WITHOUT WRITTEN AUTHORIZATION FROM "LANJIAN ELECTRONICS"	MATERIAL :			<b>LANJIAN ELECTRONICS</b> 38 Hengtong Road, Xinqu Dingmao Zhenjiang, 212009, Jiangsu, P. R. China	
	UNLESS OTHERWISE SPECIFIED: DIMENSIONS IN MM				
	TOLERANCES :				
	X.X	± 0.20	ANGULAR : ± 1°		DEBURR AND BREAK SHARP EDGES
	X.XX	± 0.10	FILLETS R/C : ± 0.10		
	X.XXX	± 0.01	SURFACE FINISH : Ra 1.6		
		NAME	DATE		SIGNATURE
	DRAWN	X.C.W	07/02/2021		
	CHK'D	H.Z.Y	07/02/2021		
	APPV'D	H.Z.Y	07/02/2021		
MFG					
PROJECTION		SIZE	SCALE	DWG No.	REV.
		A3	10:1		A
DO NOT SCALE THE DRAWING					PAGE
					1 / 1