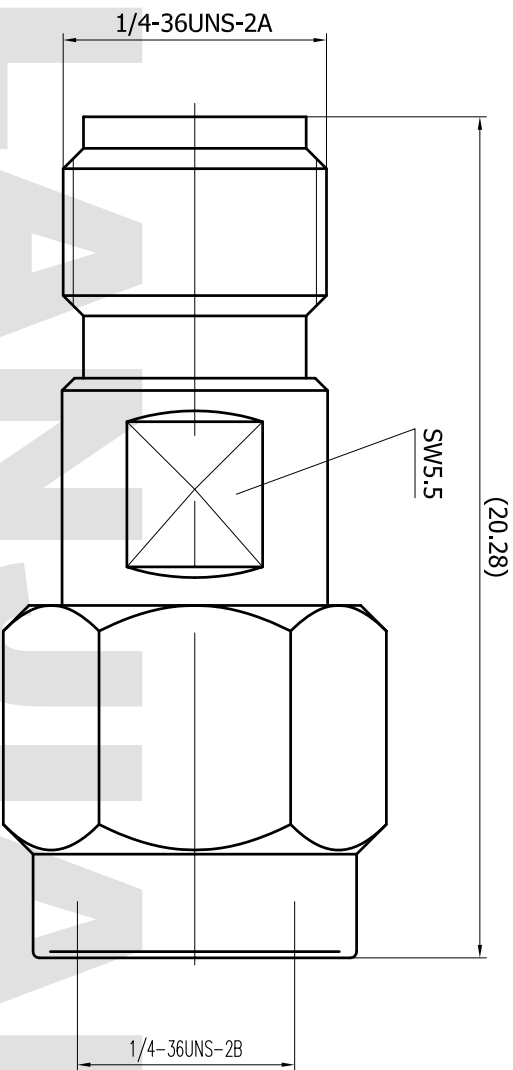


# PRODUCT DATA SHEET



**MATERIAL:**  
BODY: STAINLESS STEEL  
CONTACT: BERYLLIUM COPPER  
INSULATOR: PTFE /PTFE

**PERFORMANCE:**  
IMPEDANCE: 50 OHMS  
FREQUENCY: DC TO 27 GHz  
VSWR:  $\leq 1.2$

THIS DOCUMENT CONTAINS CONFIDENTIAL AND PROPRIETARY INFORMATION THAT CANNOT BE REPRODUCED OR DIVULGED, IN WHOLE OR IN PART, WITHOUT WRITTEN AUTHORIZATION FROM "LANJIAN ELECTRONICS"

MATERIAL :		UNLESS OTHERWISE SPECIFIED: DIMENSIONS IN MM	
TOLERANCES :	XX ±0.20	ANGULAR: ±1°	DEBURR AND BREAK SHARP EDGES
	XXX ±0.10	FILETS R/C: ±0.10	
	X.XXX ±0.01	SURFACE FINISH : Ra 1.6	
DRAWN	X.C.W	DATE	SIGNATURE
CHKD	H.Z.Y	04/21/2022	
APPRVD	H.Z.Y	04/21/2022	
MFG			
PROJECTION		SIZE	A3
		SCALE	8:1

**LANJIAN ELECTRONICS**  
38 Hengtong Road, Xinqu Dingmao  
Zhenjiang, 212009, Jiangsu, P. R. China

TITLE  
**3.5/SMA-KJ**

DWG No. GCPZ3.640.F.015  
DO NOT SCALE THE DRAWING

REV. A  
1 / 1