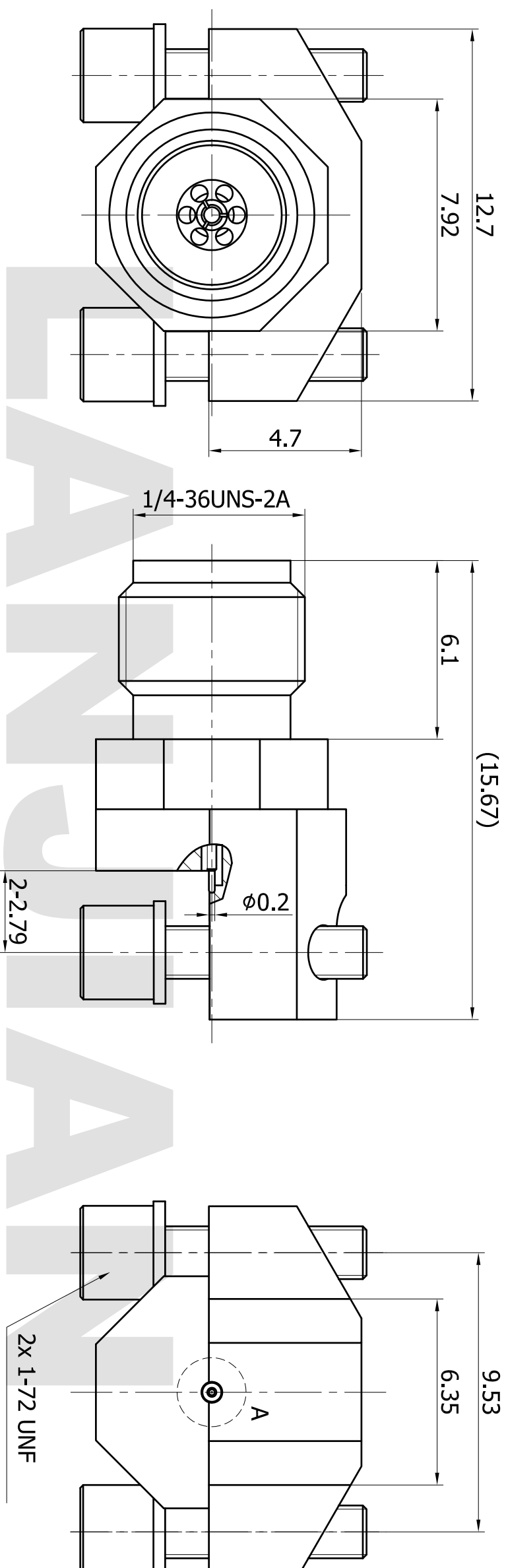


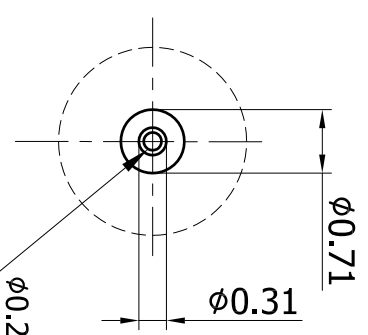
PRODUCT DATA SHEET



A 局部视图

MATERIAL:
 BODY: STAINLESS STEEL
 CONTACT: BERYLLIUM COPPER
 INSULATOR: PEI

PERFORMANCE:
 IMPEDANCE: 50 OHMS
 FREQUENCY: DC ~ TO 40 GHz
 VSWR: ≤1.30



THIS DOCUMENT CONTAINS CONFIDENTIAL AND PROPRIETARY INFORMATION THAT CANNOT BE REPRODUCED OR DIVULGED, IN WHOLE OR IN PART, WITHOUT WRITTEN AUTHORIZATION FROM "LANJIAN ELECTRONICS"

MATERIAL :

UNLESS OTHERWISE SPECIFIED: DIMENSIONS IN MM

TOLERANCES :

X.X ±0.20 ANGULAR : ±1°
 X.XX ±0.10 FILETS R/C : ±0.10
 X.XXX ±0.01 SURFACE FINISH : Ra 1.6

DEBURR AND
 BREAK SHARP
 EDGES

NAME	DATE	SIGNATURE
DRAWN X.C.W	07/05/2023	
CHK'D H.Z.Y	07/05/2023	
APP'VD H.Z.Y	07/05/2023	
MFG		

PROJECTION

SIZE A3

SCALE 8:1

LANJIAN ELECTRONICS

38 Hengtong Road, Xinqu Dingmao
 Zhenjiang, 212009, Jiangsu, P. R. China

TITLE

2.92-K-020 EDGE LAUNCH

DWG No. GCPZ3.660.C.076

REV. A

DO NOT SCALE THE DRAWING

PAGE 1 / 1