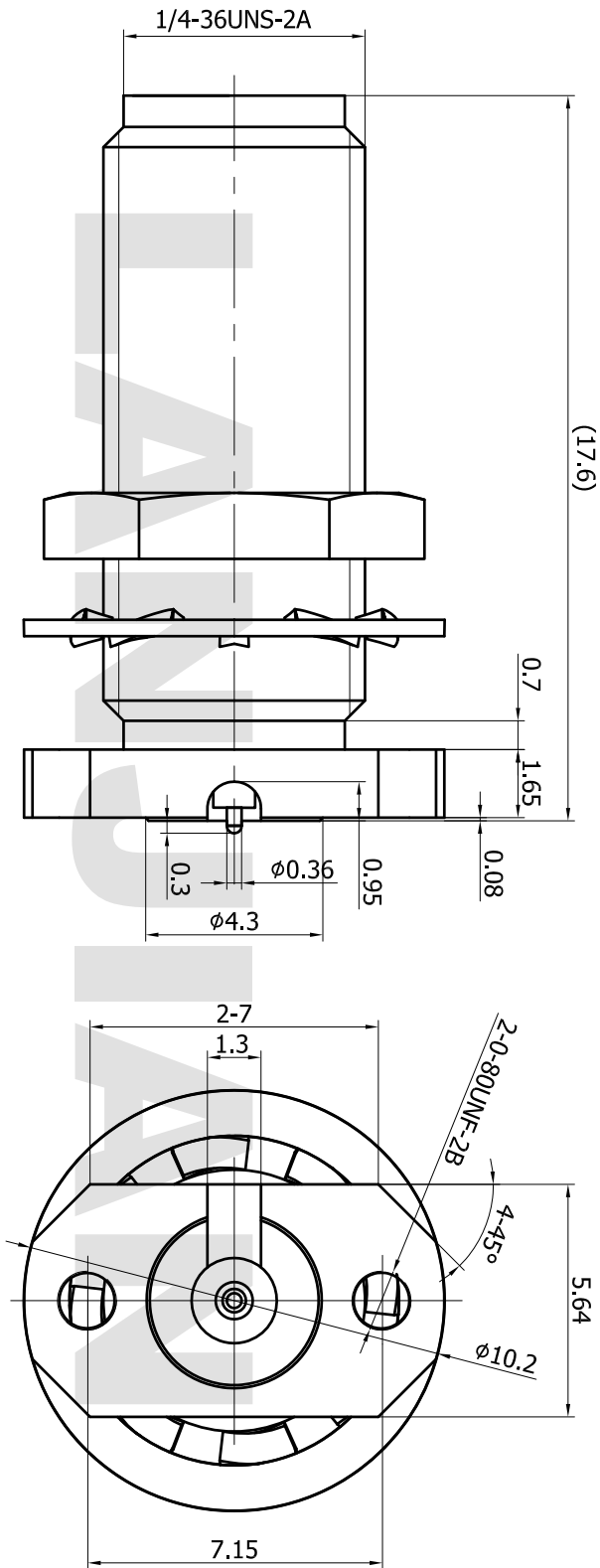


PRODUCT DATA SHEET



MATERIAL:
 BODY: STAINLESS STEEL
 CONTACT: BERYLLIUM COPPER
 INSULATOR: PTFE

PERFORMANCE:
 IMPEDANCE: 50 OHMS
 FREQUENCY: DC TO 27 GHz
 VSWR: ≤1.25

THIS DOCUMENT CONTAINS CONFIDENTIAL AND PROPRIETARY INFORMATION THAT CANNOT BE REPRODUCED OR DIVULGED, IN WHOLE OR IN PART, WITHOUT WRITTEN AUTHORIZATION FROM "LANJIAN ELECTRONICS"

MATERIAL :		UNLESS OTHERWISE SPECIFIED: DIMENSIONS IN MM	
TOLERANCES :		ANGULAR: ±1°	
XX	±0.20	XX	FILLETS R/C: ±0.10
XX	±0.10	XX	SURFACE FINISH: Ra 1.6
XX	±0.01	DEBURR AND BREAK SHARP EDGES	
NAME	DATE	SIGNATURE	
DRAWN X.C.W	04/21/2022		
CHKD H.Z.Y	04/21/2022		
APPVD H.Z.Y	04/21/2022		
MFG			
PROJECTION	SIZE	SCALE	
	A3	10:1	

LANJIAN ELECTRONICS
 38 Hengtong Road, Xinqu Dingmao
 Zhenjiang, 212009, Jiangsu, P. R. China

TITLE
SMA-KFD1-102036SPW-A

DWG No. GCPZ3.660.A.087
 DO NOT SCALE THE DRAWING

REV. A
 1 / 1