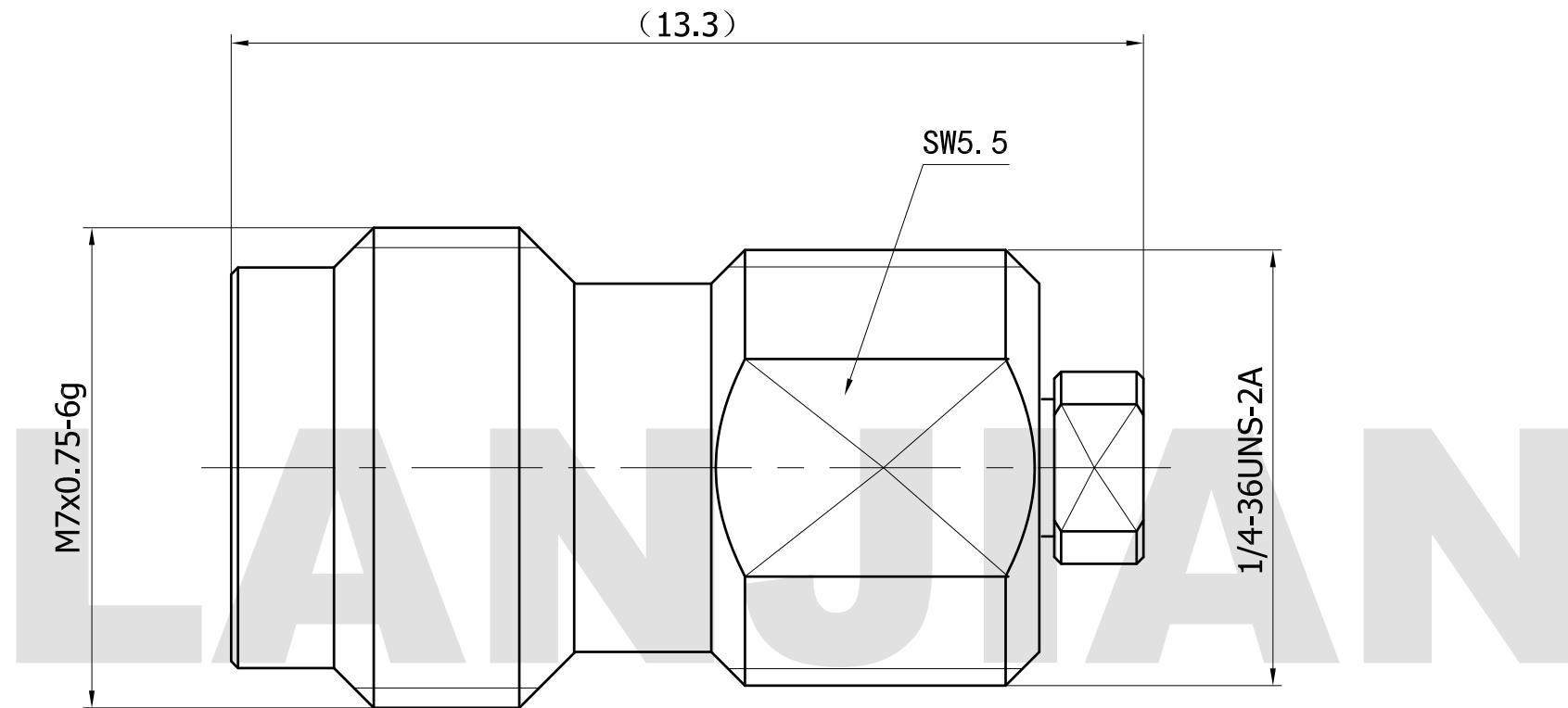


# PRODUCT DATA SHEET



**MATERIAL:**

BODY: STAINLESS STEEL  
 CONTACT: BERYLLIUM COPPER  
 INSULATOR: PEI

**PERFORMANCE:**

IMPEDANCE: 50 OHMS  
 FREQUENCY: DC TO 67 GHz  
 ≤1.30

THIS DOCUMENT CONTAINS CONFIDENTIAL AND PROPRIETARY INFORMATION THAT CANNOT BE REPRODUCED OR DIVULGED, IN WHOLE OR IN PART, WITHOUT WRITTEN AUTHORIZATION FROM "LANJIAN ELECTRONICS"	MATERIAL :			<b>LANJIAN ELECTRONICS</b> 38 Hengtong Road, Xinqu Dingmao Zhenjiang, 212009, Jiangsu, P. R. China
	UNLESS OTHERWISE SPECIFIED: DIMENSIONS IN MM			
	TOLERANCES :			TITLE <h2 style="text-align: center;">1.85-KY031SR</h2>
	X.X	±0.20	ANGULAR : ±1°	
	X.XX	±0.10	FILLETS R/C : ±0.10	
	X.XXX	±0.01	SURFACE FINISH : Ra 1.6	DEBURR AND BREAK SHARP EDGES
		NAME	DATE	SIGNATURE
DRAWN	X.C.W	05/06/2022		
CHK'D	H.Y.W	05/06/2022		DO NOT SCALE THE DRAWING PAGE 1/1
APPV'D	Q.L	05/06/2022		
MFG				
PROJECTION 		SIZE A3	SCALE 10:1	