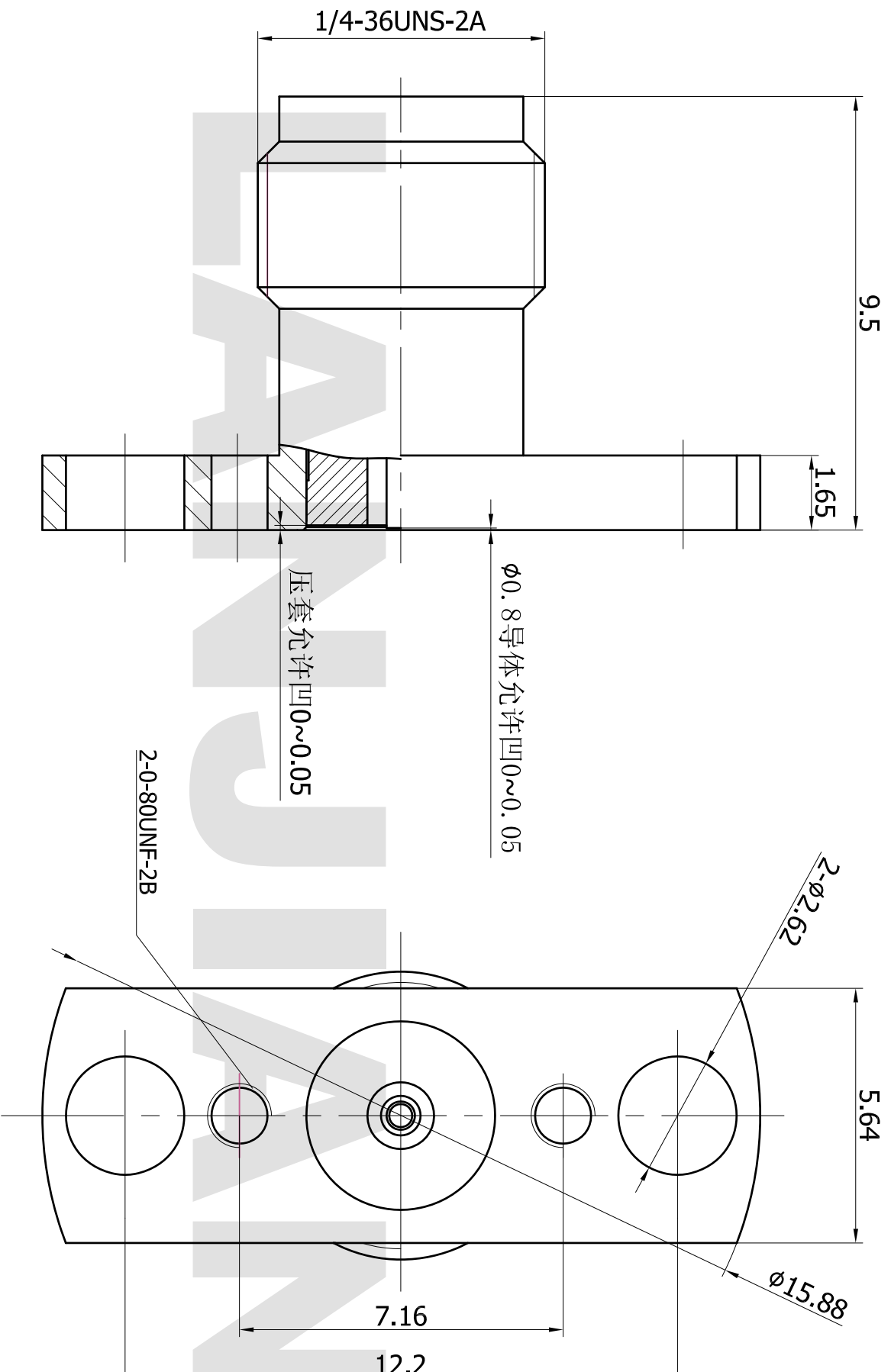


# PRODUCT DATA SHEET



**MATERIAL:**  
 BODY: STAINLESS STEEL  
 CONTACT: BERYLLIUM COPPER  
 INSULATOR: PEI

**PERFORMANCE:**  
 IMPEDANCE: 50 OHMS  
 FREQUENCY: DC TO 40 GHz  
 VSWR:  $\leq 1.25$

THIS DOCUMENT CONTAINS CONFIDENTIAL AND PROPRIETARY INFORMATION THAT CANNOT BE REPRODUCED OR DIVULGED, IN WHOLE OR IN PART, WITHOUT WRITTEN AUTHORIZATION FROM "LANJIAN ELECTRONICS"

MATERIAL :		UNLESS OTHERWISE SPECIFIED: DIMENSIONS IN MM	
TOLERANCES :		ANGULAR : $\pm 1^\circ$	
X.X	$\pm 0.20$	X.XX	FILLETS R/C : $\pm 0.10$
X.XX	$\pm 0.10$	X.XXX	SURFACE FINISH : Ra 1.6
X.XXX	$\pm 0.01$		DEBURR AND BREAK SHARP EDGES
NAME	DATE	SIGNATURE	
DRAWN X.C.W	07/14/2022		
CHKD H.Y.W	07/14/2022		
APPVD Q.L	07/14/2022		
MFG			
PROJECTION	SIZE	SCALE	
	A3	8:1	

**LANJIAN ELECTRONICS**  
 38 Hengtong Road, Xinqu Dingmao  
 Zhenjiang, 212009, Jiangsu, P. R. China

TITLE  
**2.92-KFD2-159080P**

DWG No.

REV.

A

DO NOT SCALE THE DRAWING

PAGE

1 / 1