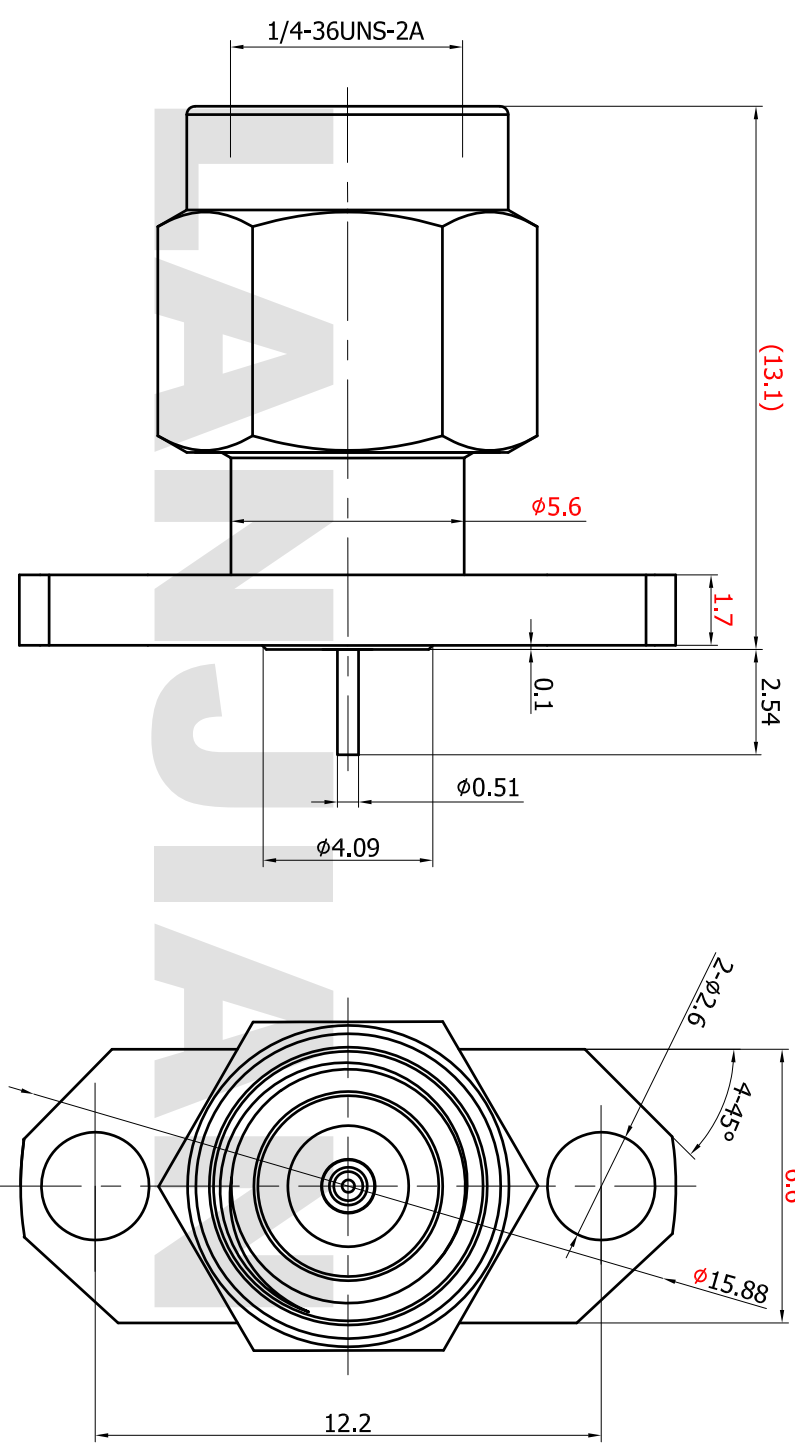


PRODUCT DATA SHEET



MATERIAL:
 BODY: STAINLESS STEEL
 CONTACT: BERYLLIUM COPPER
 INSULATOR: PEI

PERFORMANCE:
 IMPEDANCE: 50 OHMS
 FREQUENCY: DC TO 40 GHz
 VSWR: ≤1.25

THIS DOCUMENT CONTAINS CONFIDENTIAL AND PROPRIETARY INFORMATION THAT CANNOT BE REPRODUCED OR DIVULGED, IN WHOLE OR IN PART, WITHOUT WRITTEN AUTHORIZATION FROM "LANJIAN ELECTRONICS"

MATERIAL :		UNLESS OTHERWISE SPECIFIED: DIMENSIONS IN MM	
TOLERANCES :	XX ±0.20	ANGULAR : ±1°	DEBURR AND BREAK SHARP EDGES
	XXX ±0.10	FILLETS R/C : ±0.10	
	X.XXX ±0.01	SURFACE FINISH : Ra 1.6	
DRAWN	X.C.W	DATE	SIGNATURE
CHKD	H.Z.Y	12/28/2022	
APPRVD	H.Z.Y	12/28/2022	
MFG			

LANJIAN ELECTRONICS
 38 Hengtong Road, Xinqu Dingmao
 Zhenjiang, 212009, Jiangsu, P. R. China

TITLE
2.92-JFD2-159051P254
 (PEPCCKM20-2-IP100)

DWG No. _____

DO NOT SCALE THE DRAWING

REV. **A** 1 / 1

