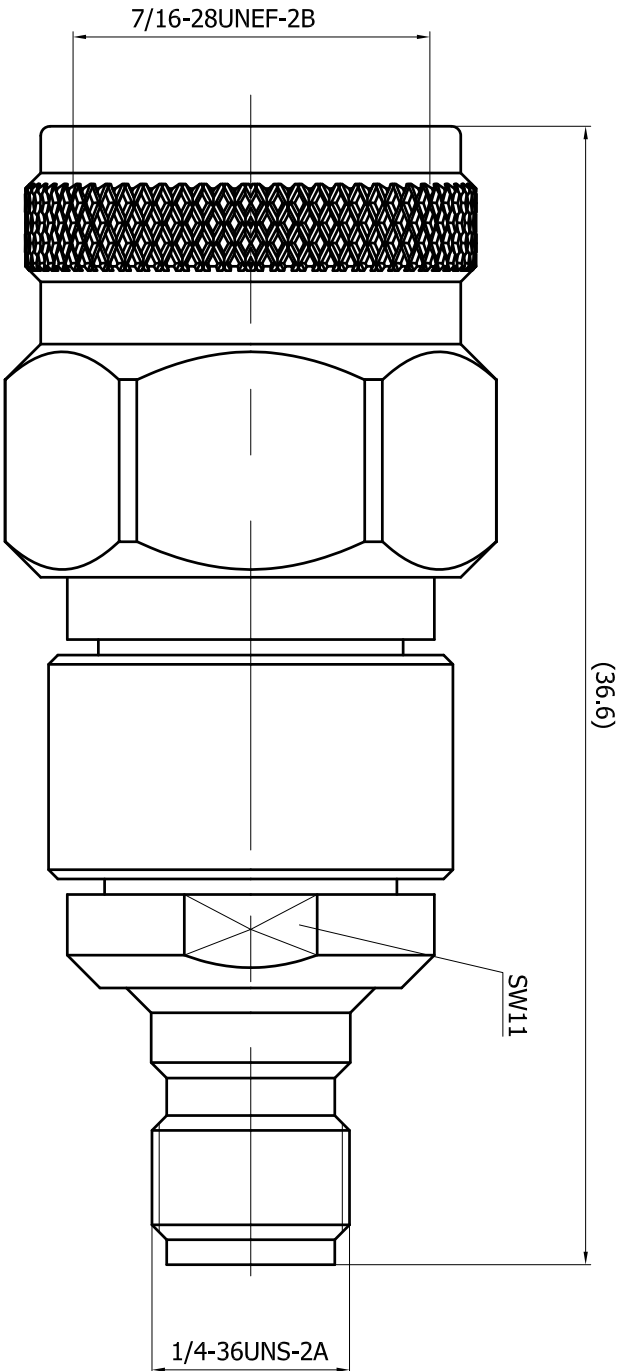


PRODUCT DATA SHEET



MATERIAL:
 BODY: STAINLESS STEEL
 CONTACT: BERYLLIUM COPPER
 INSULATOR: NORYL

PERFORMANCE:
 IMPEDANCE: 50 OHMS
 FREQUENCY: DC TO 18 GHz
 VSWR: ≤ 1.2

THIS DOCUMENT CONTAINS CONFIDENTIAL AND PROPRIETARY INFORMATION THAT CANNOT BE REPRODUCED OR DIVULGED, IN WHOLE OR IN PART, WITHOUT WRITTEN AUTHORIZATION FROM "LANJIAN ELECTRONICS"

MATERIAL :		UNLESS OTHERWISE SPECIFIED: DIMENSIONS IN MM	
TOLERANCES :		ANGULAR : $\pm 1^\circ$	
XX	± 0.20	XX	FILETS R/C : ± 0.10
XXX	± 0.10	XXX	SURFACE FINISH : Ra 1.6
X.XXX	± 0.01		DEBURR AND BREAK SHARP EDGES
NAME	DATE	SIGNATURE	
DRAWN X.C.W	04/21/2022		
CHKD H.Z.Y	04/21/2022		
APPRVD H.Z.Y	04/21/2022		
MFG			
PROJECTION	SIZE	SCALE	
	A3	5:1	

LANJIAN ELECTRONICS
 38 Hengtong Road, Xinqu Dingmao
 Zhenjiang, 212009, Jiangsu, P. R. China

TITLE
TNC/3.5-JK

DWG No. GCP Z3.640.1.013
 DO NOT SCALE THE DRAWING

REV. A
 1 / 1