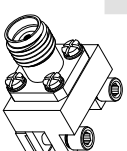
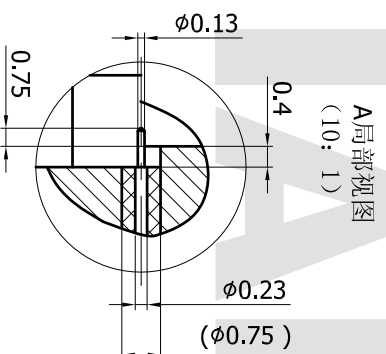
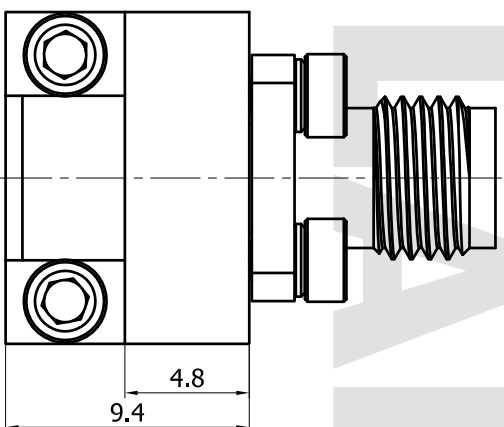
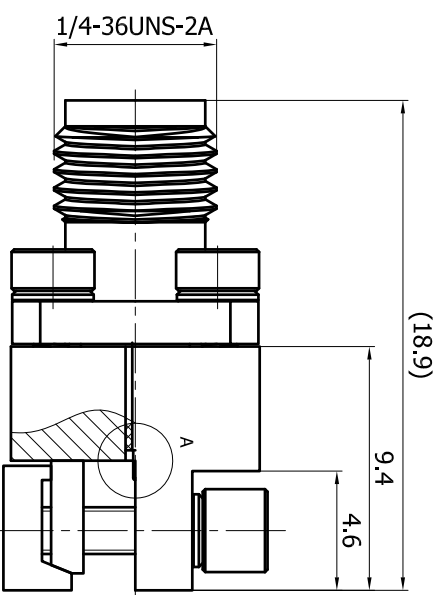
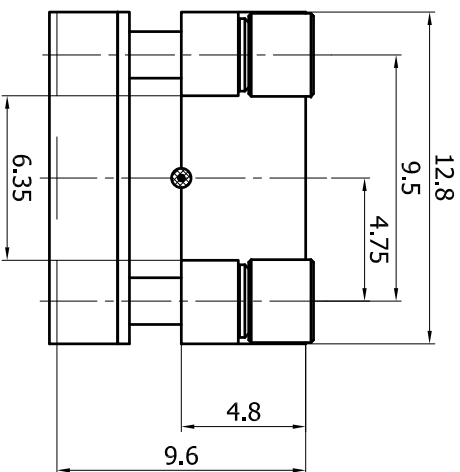


PRODUCT DATA SHEET



MATERIAL:
 BODY: STAINLESS STEEL
 CONTACT: BERYLLIUM COPPER
 INSULATOR: PEI
PERFORMANCE:
 IMPEDANCE: 50 OHMS
 FREQUENCY: DC~ TO 40 GHZ
 VSWR: ≤ 1.30

STAINLESS STEEL
 BERYLLIUM COPPER
 PEI

50 OHMS
 DC~ TO 40 GHZ
 ≤ 1.30

THIS DOCUMENT CONTAINS CONFIDENTIAL AND PROPRIETARY INFORMATION THAT CANNOT BE REPRODUCED OR DIVULGED, IN WHOLE OR IN PART, WITHOUT WRITTEN AUTHORIZATION FROM "LANJIAN ELECTRONICS"

MATERIAL :		UNLESS OTHERWISE SPECIFIED: DIMENSIONS IN MM	
TOLERANCES :		ANGULAR: $\pm 1^\circ$	
XX	± 0.20	XXX	FILLETS R/C: ± 0.10
XXX	± 0.10	XXXX	SURFACE FINISH: Ra 1.6
XXXX	± 0.01	EDGES	
NAME	DATE	SIGNATURE	
DRAWN X.C.W	07/05/2023		
CHKD H.Z.Y	07/05/2023		
APPRVD H.Z.Y	07/05/2023		
MFG			
PROJECTION	SIZE	SCALE	
	A3	8:1	

LANJIAN ELECTRONICS
 38 Hengtong Road, Xinqu Dingmao
 Zhenjiang, 212009, Jiangsu, P. R. China

TITLE
2.92-K-013-1 EDGE LAUNCH

DWG No. GCPZ3.660.C.095
 DO NOT SCALE THE DRAWING
 REV. A
 1 / 1