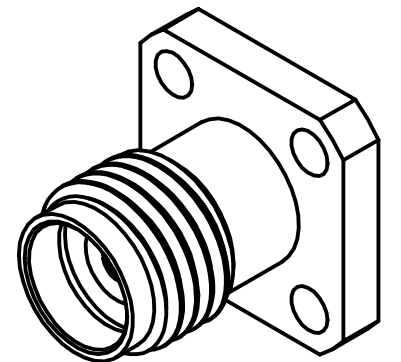
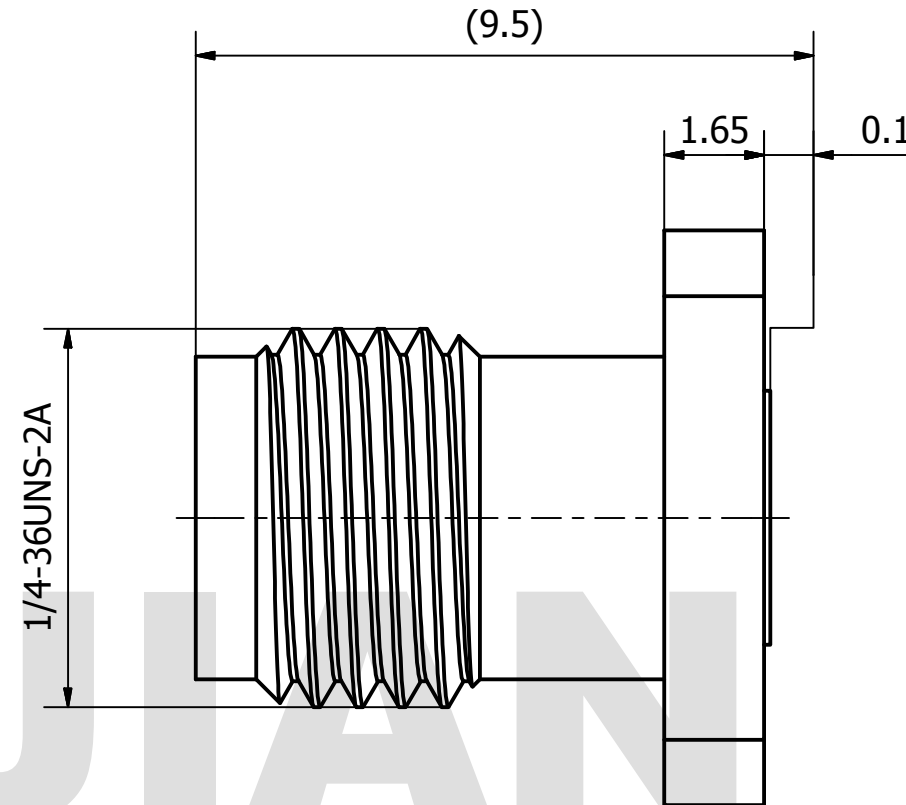
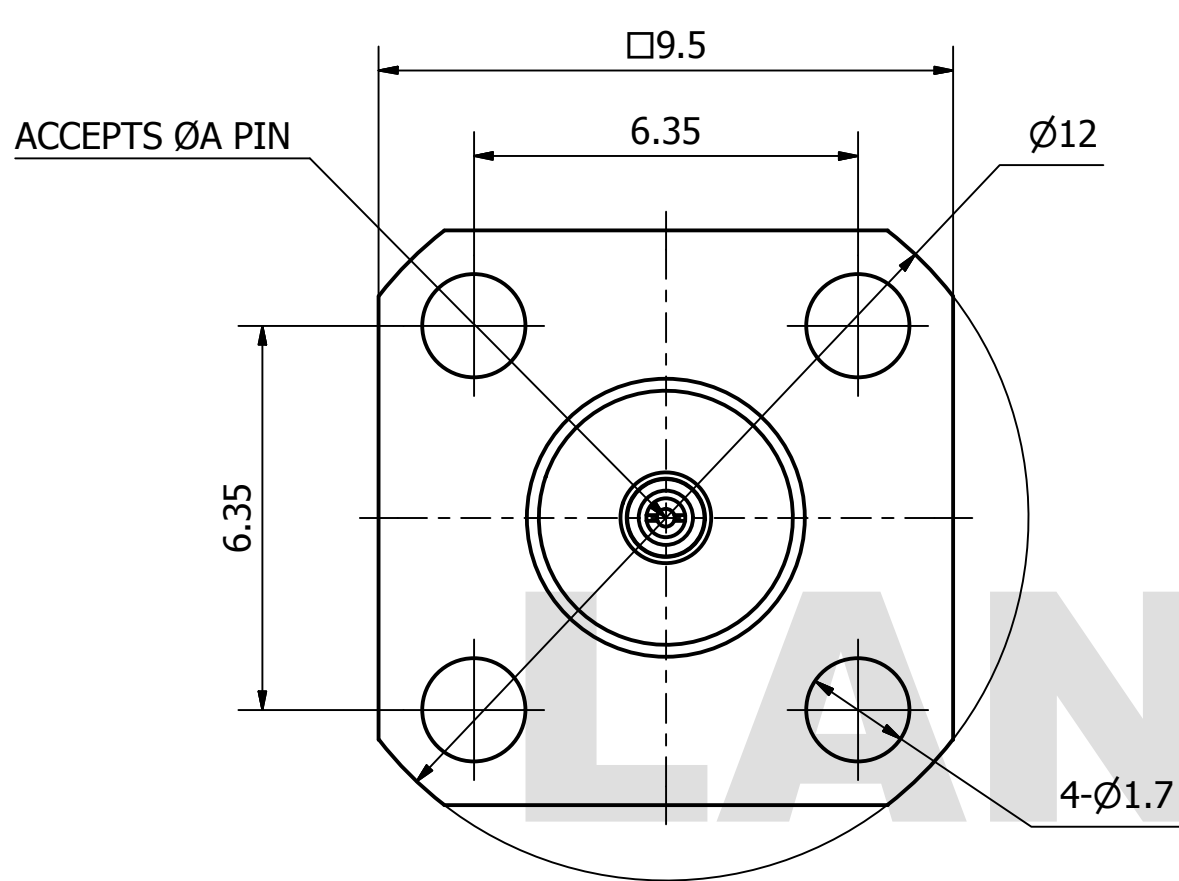


# PRODUCT DATA SHEET



GCPZ3.660.C.0XX	2.92-KFD4-0950XXX	A
GCPZ3.660.C.011	2.92-KFD4-095030	0.30
GCPZ3.660.C.016	2.92-KFD4-095023	0.23
GCPZ3.660.C.021	2.92-KFD4-095051B	0.51

**MATERIAL:**  
**BODY:** STAINLESS STEEL PER AMS-5640,  
 ALLOY UNS S30300  
**CONTACT:** BERYLLIUM COPPER PER ASTM B196.  
 ALLOY NO. UNS C17300  
**INSULATOR:** PEI

**PERFORMANCE:**  
**IMPEDANCE:** 50 OHMS  
**FREQUENCY:** DC TO 40 GHz  
**VSWR:** ≤1.25

THIS DOCUMENT CONTAINS CONFIDENTIAL AND PROPRIETARY INFORMATION THAT CANNOT BE REPRODUCED OR DIVULGED, IN WHOLE OR IN PART, WITHOUT WRITTEN AUTHORIZATION FROM "LANJIAN ELECTRONICS"	MATERIAL :		
	UNLESS OTHERWISE SPECIFIED: DIMENSIONS IN MM		
	TOLERANCES :		
	X.X	±0.20	ANGULAR : ±1°
	X.XX	±0.10	FILLETS R/C : ±0.10
	X.XXX	±0.01	SURFACE FINISH : Ra 1.6
			DEBURR AND BREAK SHARP EDGES
		NAME	DATE
	DRAWN	YaoJiang	08/14/2018
	CHK'D	HongZhongYan	08/14/2018
APPV'D	HongZhongYan	08/14/2018	
MFG			
PROJECTION	SIZE	SCALE	
	A3	8 : 1	

**LANJIAN ELECTRONICS**  
 38 Hengtong Road, Xinqu Dingmao  
 Zhenjiang, 212009, Jiangsu, P. R. China

TITLE  
**2.92-KFD4-0950XXX**  
 straight jack connector

DWG No. GCPZ3.660.C.0XX	REV. A
DO NOT SCALE THE DRAWING	
PAGE 1 / 1	