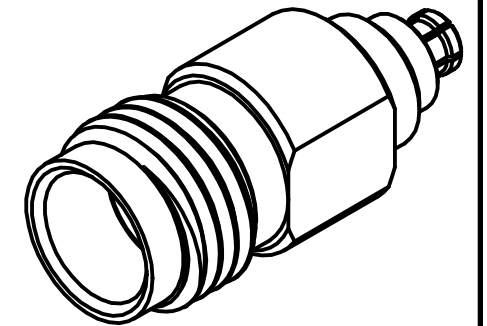
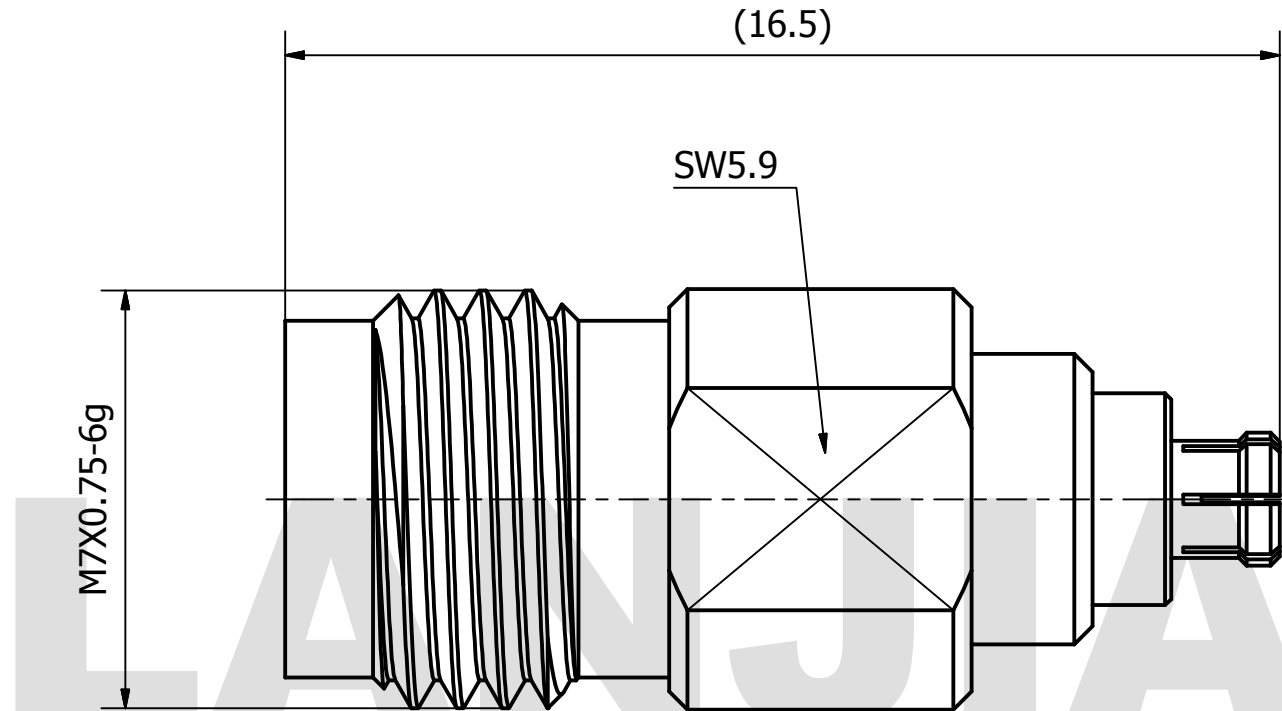


PRODUCT DATA SHEET



MATERIAL:
BODY: BERYLLIUM COPPER PER ASTM B196.
 ALLOY NO. UNS C17300
CONTACT: BERYLLIUM COPPER PER ASTM B196.
 ALLOY NO. UNS C17300
INSULATOR: PEI

PERFORMANCE:
IMPEDANCE: 50 OHMS
FREQUENCY: DC TO 50 GHz
VSWR: ≤1.30

THIS DOCUMENT CONTAINS CONFIDENTIAL AND PROPRIETARY INFORMATION THAT CANNOT BE REPRODUCED OR DIVULGED, IN WHOLE OR IN PART, WITHOUT WRITTEN AUTHORIZATION FROM "LANJIAN ELECTRONICS"	MATERIAL :			 38 Hengtong Road, Xinqu Dingmao Zhenjiang, 212009, Jiangsu, P. R. China			
	UNLESS OTHERWISE SPECIFIED: DIMENSIONS IN MM						
	TOLERANCES :						
	X.X	± 0.20	ANGULAR : ± 1°		DEBURR AND BREAK SHARP EDGES		
	X.XX	± 0.10	FILLETS R/C : ± 0.10				
	X.XXX	± 0.01	SURFACE FINISH : Ra 1.6				
		NAME	DATE	SIGNATURE	TITLE 2.4/SMPM-KK straight adaptor		
	DRAWN	Y.J.	08/13/2019				
	CHK'D	X.C.W	08/13/2019				
	APPV'D	X.C.W	08/13/2019				
MFG				DWG No.	GCPZ3.640.O.017	REV.	A
PROJECTION		SIZE	SCALE	DO NOT SCALE THE DRAWING		PAGE	1 / 1
		A3	8 : 1				