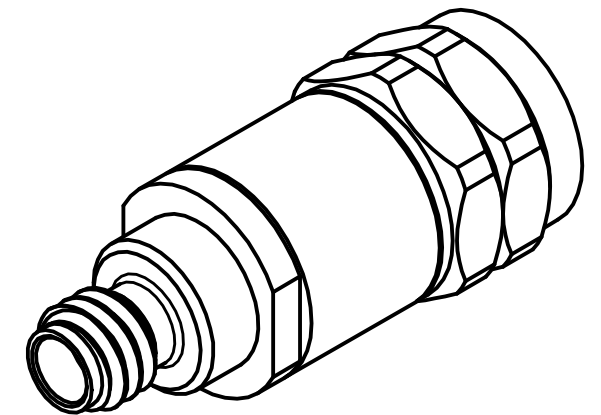
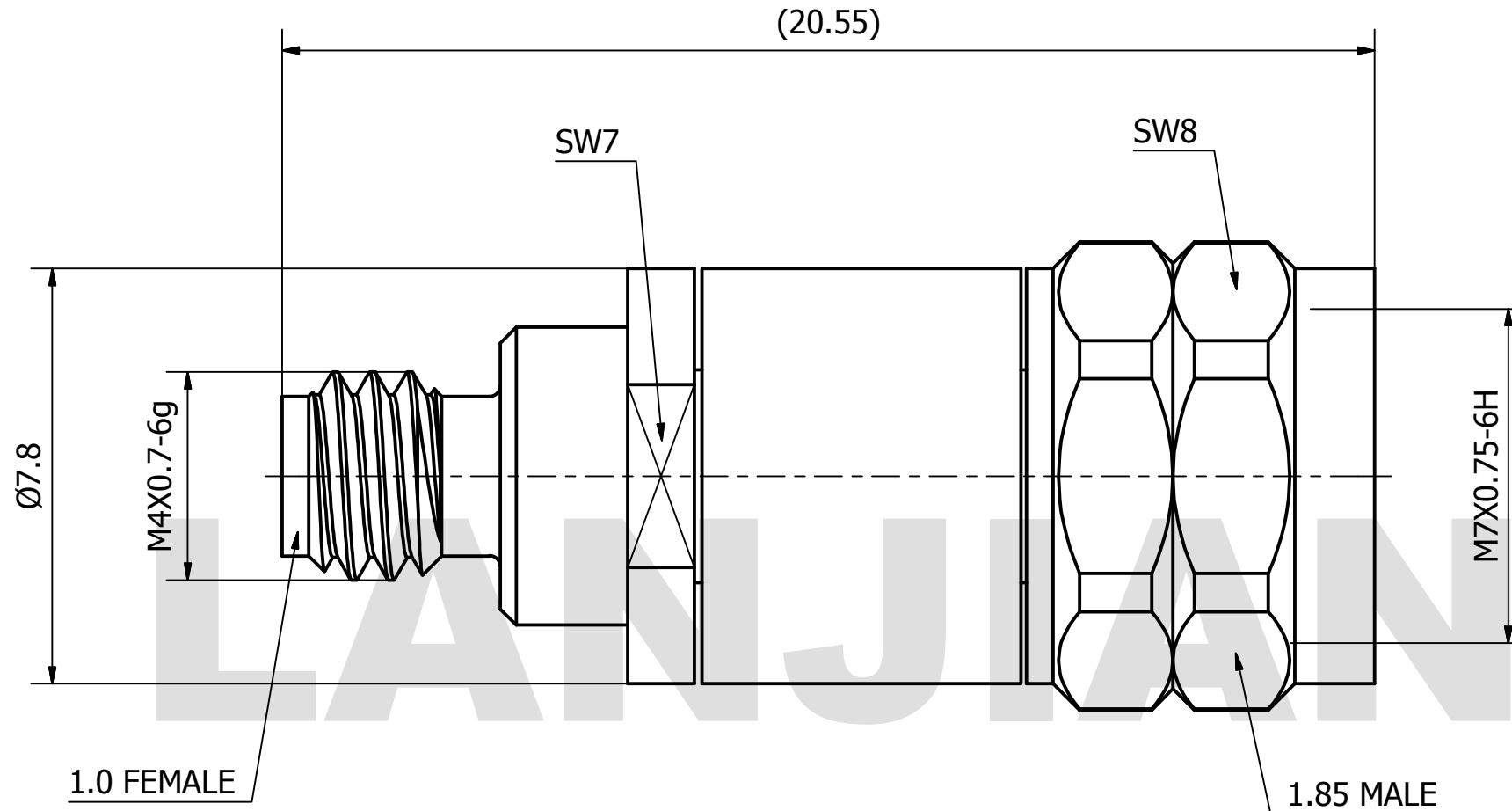


PRODUCT DATA SHEET



MATERIAL:
 BODY: STAINLESS STEEL PER AMS-5640,
 ALLOY UNS S30300
 CONTACT: BERYLLIUM COPPER PER ASTM B196.
 ALLOY NO. UNS C17300
 INSULATOR: PEI

PERFORMANCE:
 IMPEDANCE: 50 OHMS
 FREQUENCY: DC TO 65 GHz
 VSWR: ≤ 1.50

| | | | | | |
|--|--|------------|--------------------------|--|------------------------------------|
| THIS DOCUMENT CONTAINS CONFIDENTIAL AND PROPRIETARY INFORMATION THAT CANNOT BE REPRODUCED OR DIVULGED, IN WHOLE OR IN PART, WITHOUT WRITTEN AUTHORIZATION FROM "LANJIAN ELECTRONICS" | MATERIAL : | | | 38 Hengtong Road, Xinqu Dingmao Zhenjiang, 212009, Jiangsu, P. R. China | |
| | UNLESS OTHERWISE SPECIFIED: DIMENSIONS IN MM | | | | |
| | TOLERANCES : | | | | |
| | X.X | ± 0.20 | ANGULAR : $\pm 1^\circ$ | | DEBURR AND BREAK SHARP EDGES |
| | X.XX | ± 0.10 | FILLETS R/C : ± 0.10 | | |
| | X.XXX | ± 0.01 | SURFACE FINISH : Ra 1.6 | | |
| | NAME | DATE | SIGNATURE | | |
| DRAWN | YaoJiang | 08/14/2018 | | | |
| CHK'D | HongZhongYan | 08/14/2018 | | | |
| APPV'D | HongZhongYan | 08/14/2018 | | | |
| MFG | | | | | |
| PROJECTION | | SIZE | SCALE | DWG No. | REV. |
| | | A3 | 8 : 1 | GCPZ3.640.U.015 | A |
| DO NOT SCALE THE DRAWING | | | | PAGE | 1 / 1 |