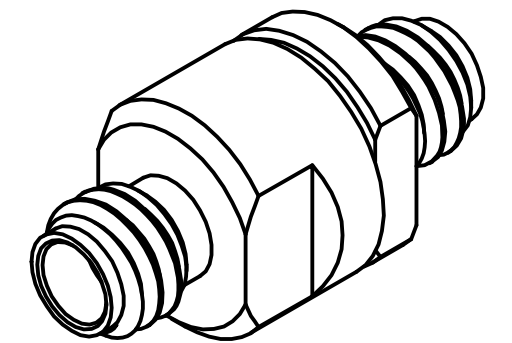
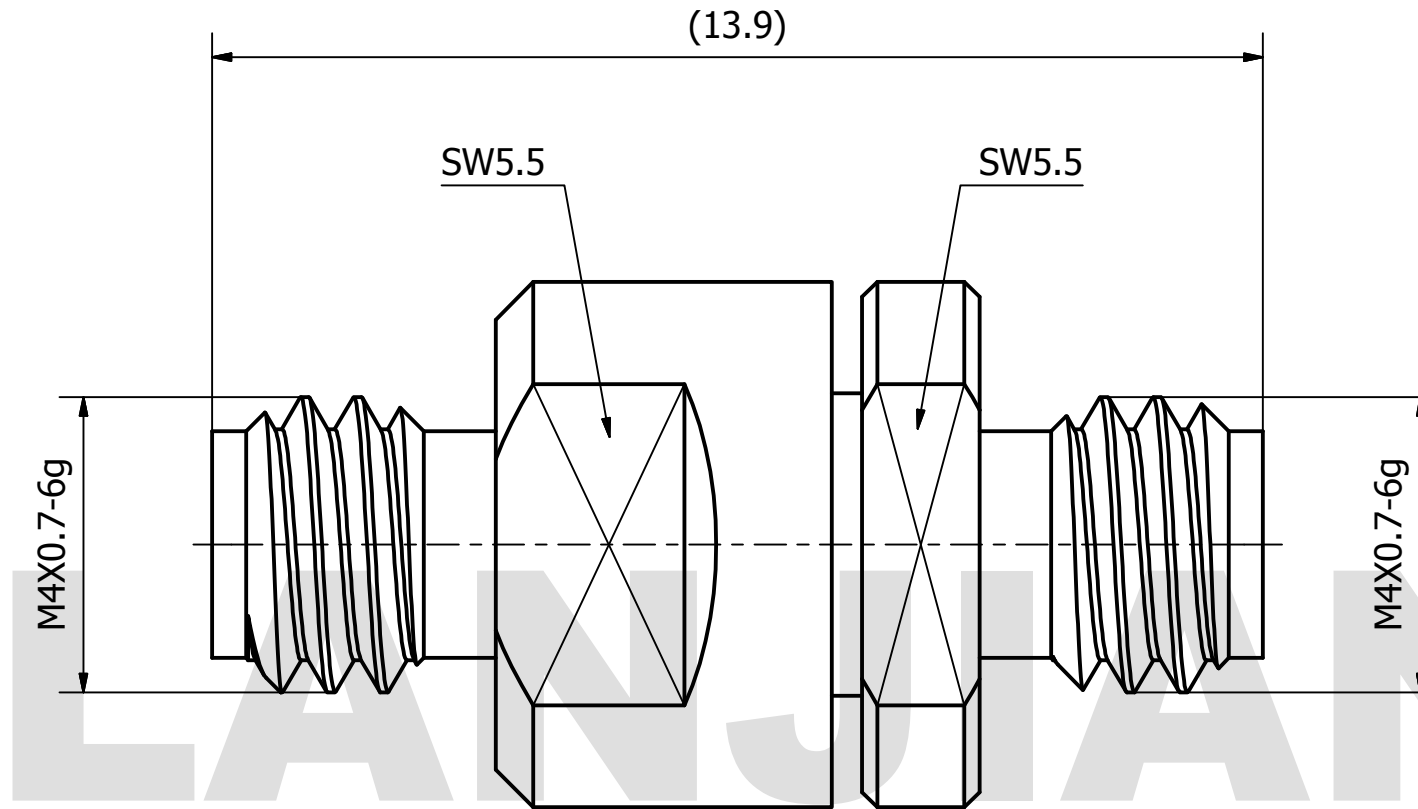


PRODUCT DATA SHEET



MATERIAL:
BODY: STAINLESS STEEL ,
 ALLOY UNS S31603
CONTACT: BERYLLIUM COPPER PER ASTM B196.
 ALLOY NO. UNS C17300
INSULATOR: PEI

PERFORMANCE:
IMPEDANCE: 50 OHMS
FREQUENCY: 10 TO 100 GHz
VSWR: ≤ 1.5

THIS DOCUMENT CONTAINS CONFIDENTIAL AND PROPRIETARY INFORMATION THAT CANNOT BE REPRODUCED OR DIVULGED, IN WHOLE OR IN PART, WITHOUT WRITTEN AUTHORIZATION FROM "LANJIAN ELECTRONICS"	MATERIAL :			<p style="font-size: 8px;">38 Hengtong Road, Xinqu Dingmao Zhenjiang, 212009, Jiangsu, P. R. China</p>	
	UNLESS OTHERWISE SPECIFIED: DIMENSIONS IN MM				
	TOLERANCES :				
	X.X ± 0.10	ANGULAR : ± 30°	DEBURR AND BREAK SHARP EDGES		
	X.XX ± 0.05	FILLETS R/C : ± 0.10			
	X.XXX ± 0.005	SURFACE FINISH : Ra 0.8			
	NAME	DATE	SIGNATURE	<p style="font-size: 12px; margin: 0;">1.0-KK-1 adaptor</p>	
DRAWN					
CHK'D					
APPV'D					
MFG				DWG No.	REV.
PROJECTION		SIZE	SCALE	GCPZ3.640.V.002	
		A3	10 : 1	DO NOT SCALE THE DRAWING	PAGE 1 / 1