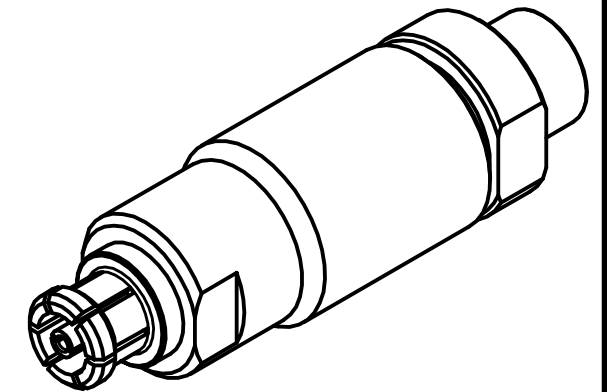
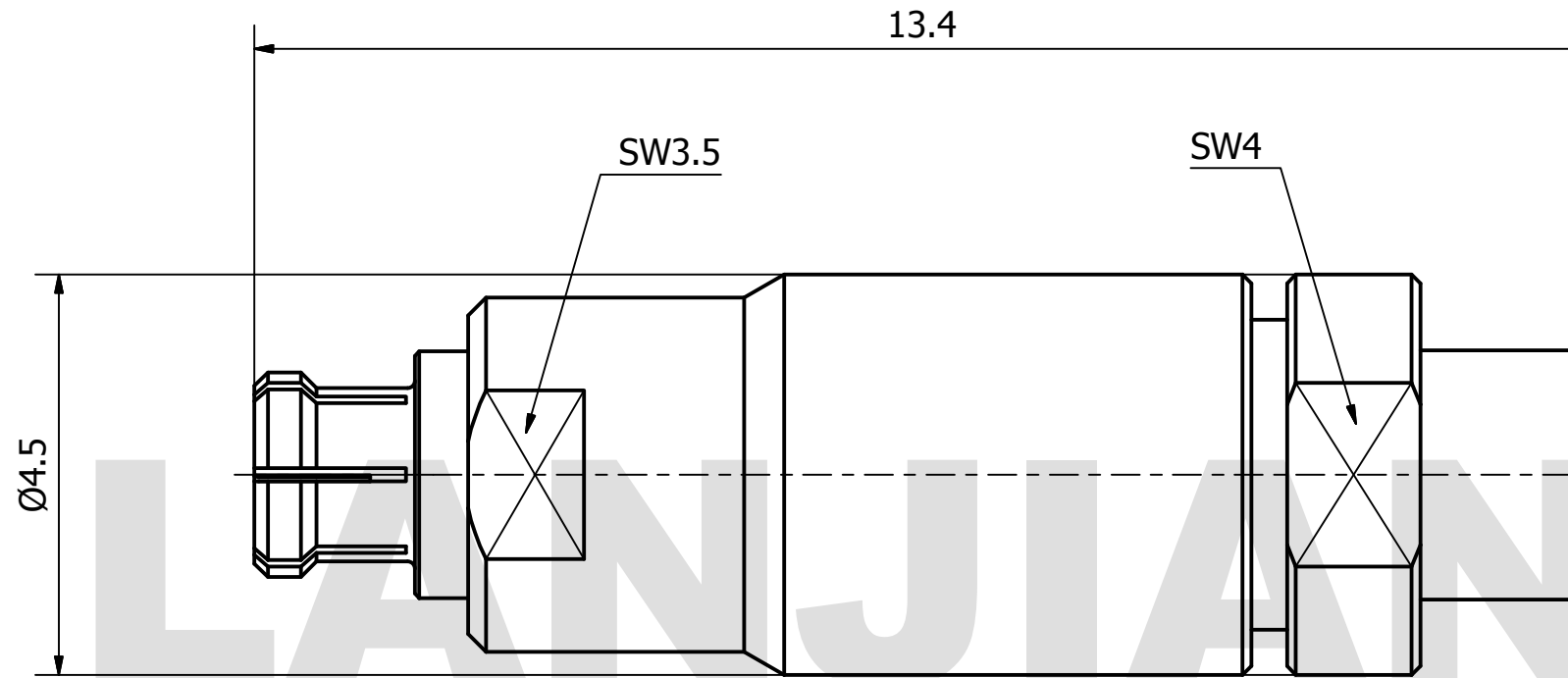


PRODUCT DATA SHEET



MATERIAL:
 BODY: BERYLLIUM COPPER PER ASTM B196.
 ALLOY NO. UNS C17300
 CONTACT: BERYLLIUM COPPER PER ASTM B196.
 ALLOY NO. UNS C17300
 INSULATOR: PEI

PERFORMANCE:
 IMPEDANCE: 50 OHMS
 FREQUENCY: DC TO 65 GHz
 VSWR: ≤1.35

THIS DOCUMENT CONTAINS CONFIDENTIAL AND PROPRIETARY INFORMATION THAT CANNOT BE REPRODUCED OR DIVULGED, IN WHOLE OR IN PART, WITHOUT WRITTEN AUTHORIZATION FROM "LANJIAN ELECTRONICS"	MATERIAL :			 38 Hengtong Road, Xinqu Dingmao Zhenjiang, 212009, Jiangsu, P. R. China
	UNLESS OTHERWISE SPECIFIED: DIMENSIONS IN MM			
	TOLERANCES :			
	X.X	± 0.10	ANGULAR : ± 30'	DEBURR AND BREAK SHARP EDGES
	X.XX	± 0.05	FILLETS R/C : ± 0.10	
	X.XXX	± 0.005	SURFACE FINISH : Ra 0.8	
	NAME	DATE	SIGNATURE	
DRAWN	YaoJiang	10/24/2018		
CHK'D	HongZhongYan	10/24/2018		
APPV'D	HongZhongYan	10/24/2018		
MFG				
PROJECTION		SIZE	SCALE	
		A3	12 : 1	
DO NOT SCALE THE DRAWING			REV. A	
PAGE 1 / 1				

SMPM-K3506
 straight jack cable connector

DWG No. GCPZ3.660.H.013