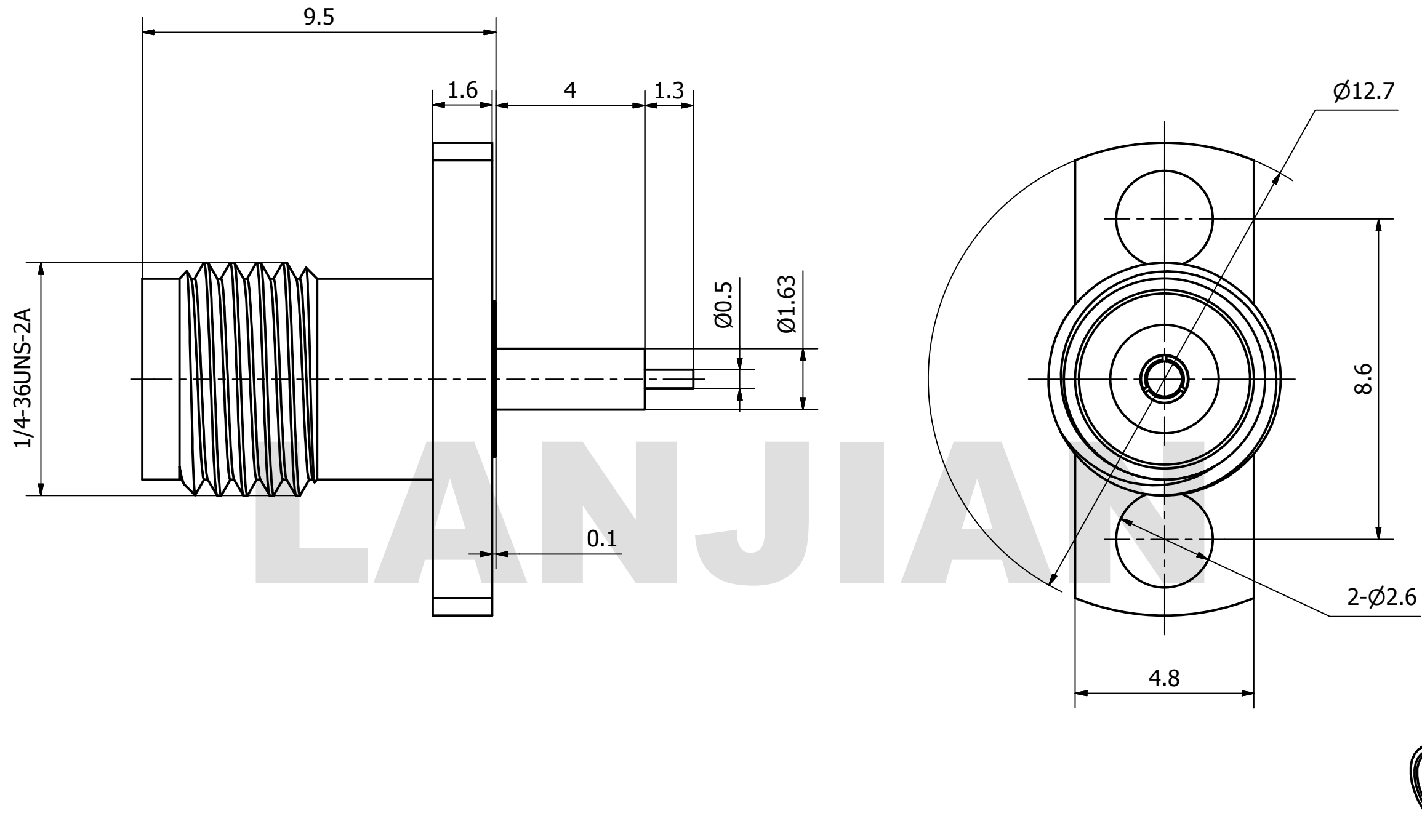


# PRODUCT DATA SHEET



**MATERIAL:**  
 BODY: BRASS  
 CONTACT: BERYLLIUM COPPER PER ASTM B196.  
 ALLOY NO. UNS C17300  
 INSULATOR: PEI&PTFE

**PERFORMANCE:**  
 IMPEDANCE: 50 OHMS  
 FREQUENCY: DC TO 40 GHz  
 VSWR: ≤1.20

THIS DOCUMENT CONTAINS CONFIDENTIAL AND PROPRIETARY INFORMATION THAT CANNOT BE REPRODUCED OR DIVULGED, IN WHOLE OR IN PART, WITHOUT WRITTEN AUTHORIZATION FROM "LANJIAN ELECTRONICS"	MATERIAL :			<b>LANJIAN ELECTRONICS</b> 38 Hengtong Road, Xinqu Dingmao Zhenjiang, 212009, Jiangsu, P. R. China
	UNLESS OTHERWISE SPECIFIED: DIMENSIONS IN MM			
	TOLERANCES :			
	X.X ±0.20	ANGULAR : ±1°	DEBURR AND BREAK SHARP EDGES	
	X.XX ±0.10	FILLETS R/C : ±0.10		
X.XXX ±0.01	SURFACE FINISH : Ra 1.6			
	NAME	DATE	SIGNATURE	TITLE <b>2.92-KFD2-127050P</b> straight micro-strip connector
DRAWN				
CHK'D				
APPV'D				
MFG				
	PROJECTION	SIZE	SCALE	DWG No.
		A3	8 : 1	GCPZ3.660.C.039
				REV.
				DO NOT SCALE THE DRAWING
				PAGE 1 / 1