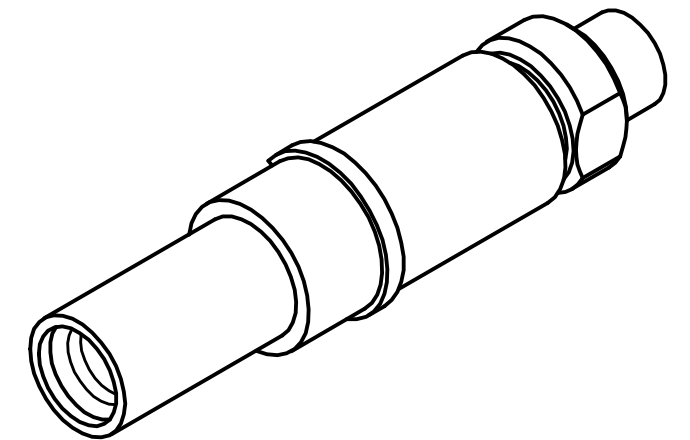
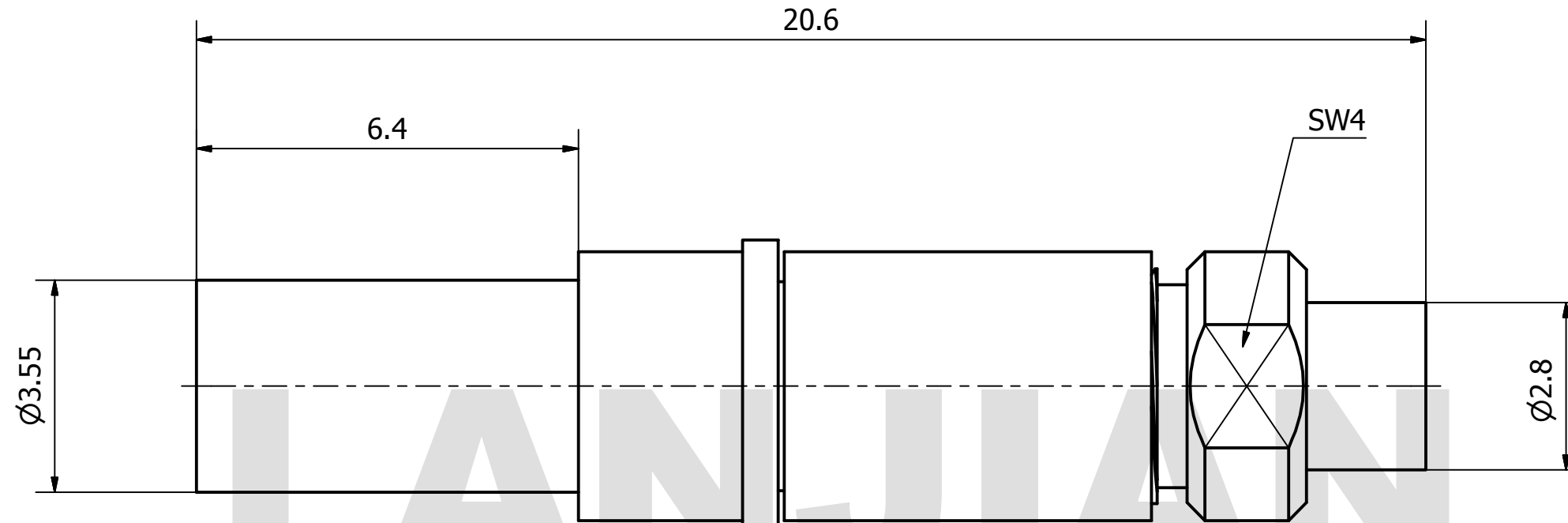


PRODUCT DATA SHEET



MATERIAL
 BODY: BRASS PER ASTM B16. ALLOY NO. UNS C36000
 PIN: BERYLLIUM COPPER PER ASTM B196.
 ALLOY NO. UNS C17300
 INSULATOR: PTFE PER ASTM D1710

THIS DOCUMENT CONTAINS CONFIDENTIAL AND PROPRIETARY INFORMATION THAT CANNOT BE REPRODUCED OR DIVULGED, IN WHOLE OR IN PART, WITHOUT WRITTEN AUTHORIZATION FROM "LANJIAN ELECTRONICS"

MATERIAL :			
UNLESS OTHERWISE SPECIFIED: DIMENSIONS IN MM			
TOLERANCES :			
X.X	± 0.10	ANGULAR : ± 30'	DEBURR AND BREAK SHARP EDGES
X.XX	± 0.05	FILLETS R/C : ± 0.10	
X.XXX	± 0.005	SURFACE FINISH : Ra 0.8	
	NAME	DATE	SIGNATURE
DRAWN			
CHK'D			
APPV'D			
MFG			

LANJIAN ELECTRONICS
 38 Hengtong Road, Xinqu Dingmao
 Zhenjiang, 212009, Jiangsu, P. R. China

TITLE
SMPM-J3506 cable connector

PROJECTION	SIZE	SCALE
	A3	10 : 1

DWG No.	REV.
GCPZ3.650.H.003	
DO NOT SCALE THE DRAWING	
PAGE	
1 / 1	