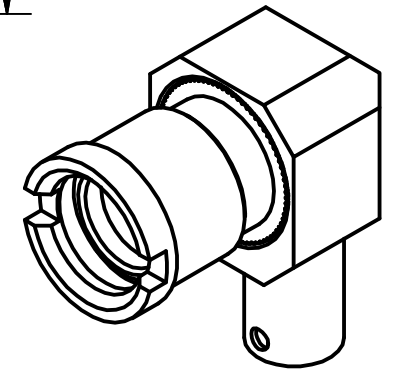
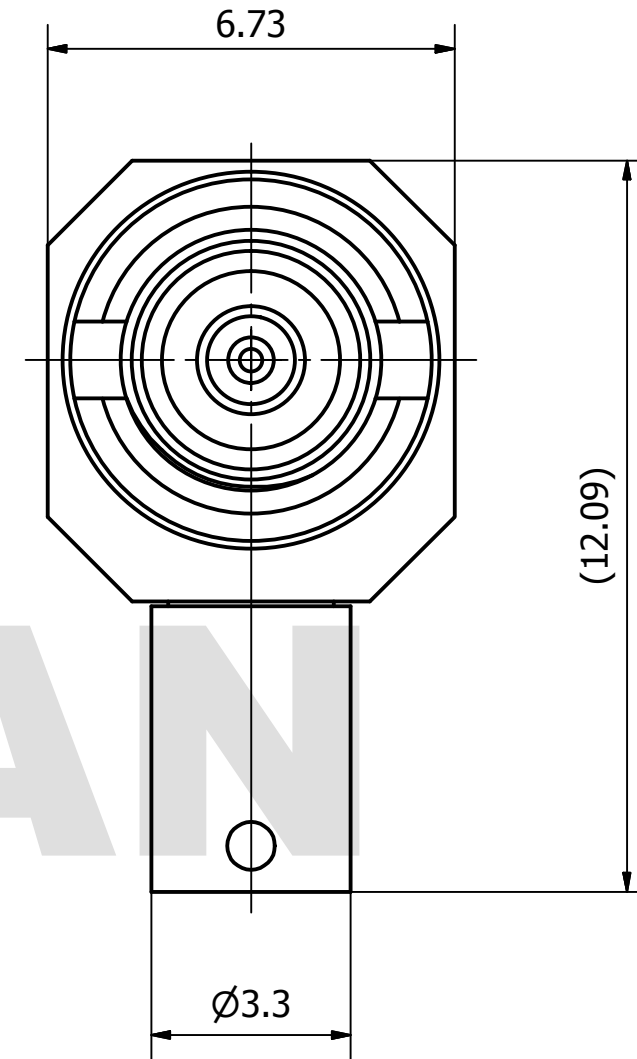
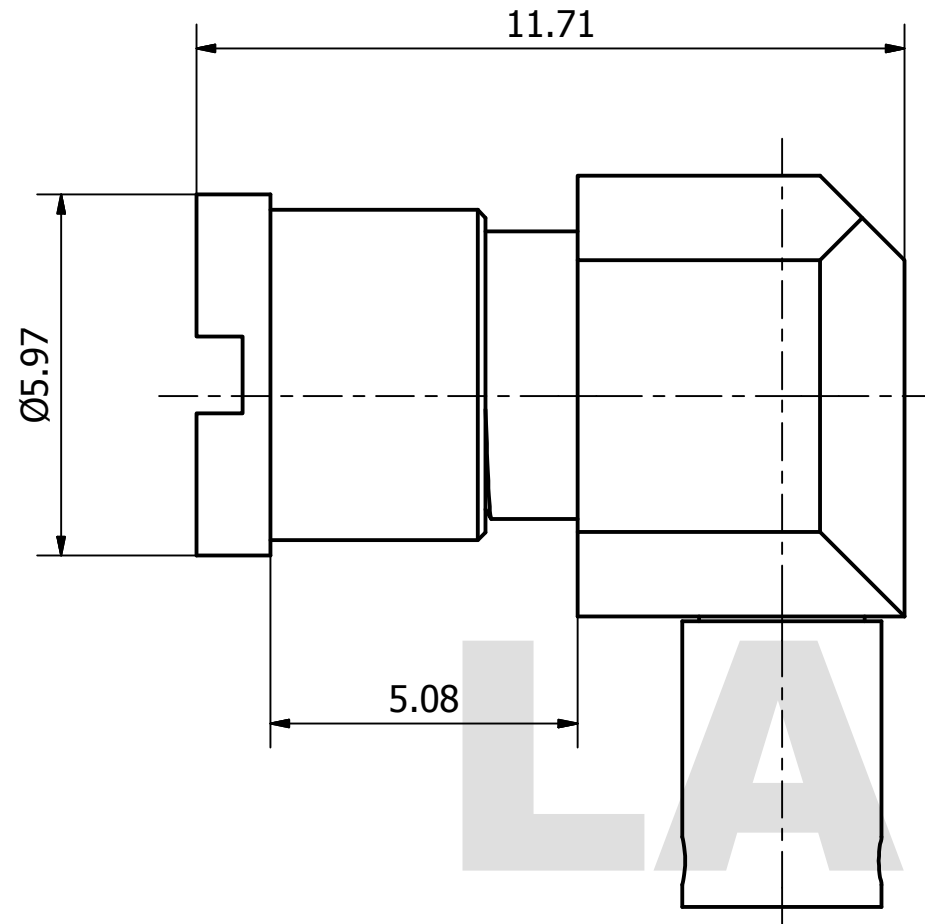


PRODUCT DATA SHEET



LANJIAN

MATERIAL:
 BODY: STAINLESS STEEL PER AMS-5640,
 ALLOY UNS S30300
 CONTACT: BERYLLIUM COPPER PER ASTM B196.
 ALLOY NO. UNS C17300
 INSULATOR: PTFE PER ASTM D1710

PERFORMANCE:
 FREQUENCY: DC TO 5 GHz

THIS DOCUMENT CONTAINS CONFIDENTIAL AND PROPRIETARY INFORMATION THAT CANNOT BE REPRODUCED OR DIVULGED, IN WHOLE OR IN PART, WITHOUT WRITTEN AUTHORIZATION FROM "LANJIAN ELECTRONICS"	MATERIAL :			 38 Hengtong Road, Xinqu Dingmao Zhenjiang, 212009, Jiangsu, P. R. China	
	UNLESS OTHERWISE SPECIFIED: DIMENSIONS IN MM				
	TOLERANCES :			TITLE SMP00100/1145/FA12RX R/A pin connector	
	X.X	± 0.20	ANGULAR : ± 1°		DWG No. GCPZ3.650.G.008 DO NOT SCALE THE DRAWING
	X.XX	± 0.10	FILLETS R/C : ± 0.10		
	X.XXX	± 0.01	SURFACE FINISH : Ra 1.6		
DEBURR AND BREAK SHARP EDGES					
	NAME	DATE	SIGNATURE		
DRAWN					
CHK'D					
APPV'D					
MFG					
PROJECTION		SIZE	SCALE		
		A3	8 : 1		