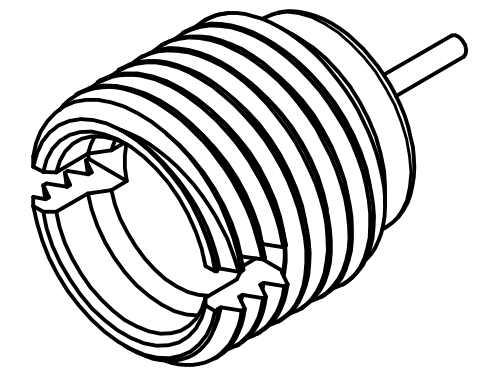
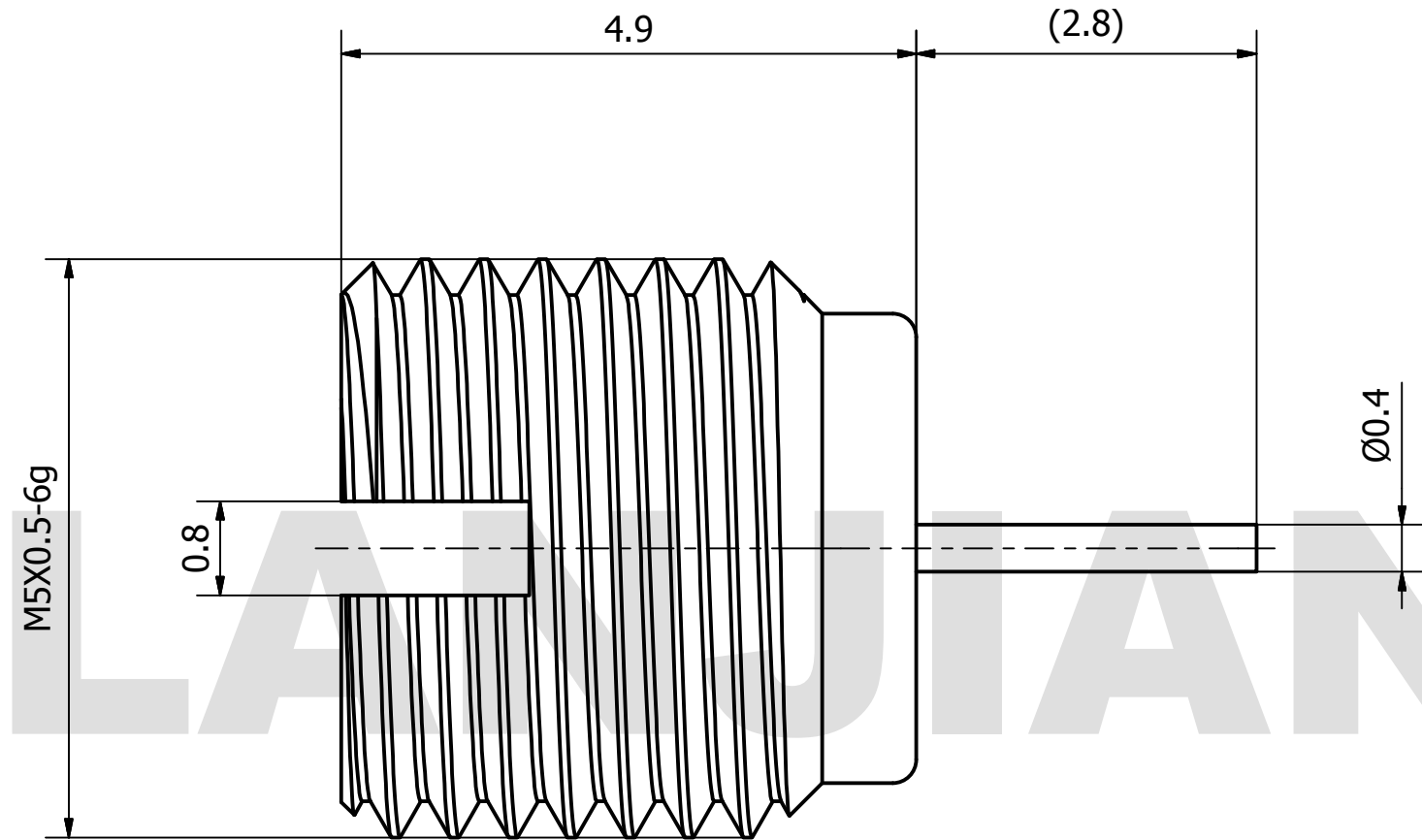


PRODUCT DATA SHEET



MATERIAL:
BODY: STAINLESS STEEL PER AMS-5640,
 ALLOY UNS S30300
CONTACT: BERYLLIUM COPPER PER ASTM B196.
 ALLOY NO. UNS C17300
INSULATOR: PTFE PER ASTM D1710

THIS DOCUMENT CONTAINS CONFIDENTIAL AND PROPRIETARY INFORMATION THAT CANNOT BE REPRODUCED OR DIVULGED, IN WHOLE OR IN PART, WITHOUT WRITTEN AUTHORIZATION FROM "LANJIAN ELECTRONICS"	MATERIAL :			 38 Hengtong Road, Xinqu Dingmao Zhenjiang, 212009, Jiangsu, P. R. China	
	UNLESS OTHERWISE SPECIFIED: DIMENSIONS IN MM				
	TOLERANCES :			DEBURR AND BREAK SHARP EDGES	
	X.X	± 0.20	ANGULAR : ± 1°		
	X.XX	± 0.10	FILLETS R/C : ± 0.10		
	X.XXX	± 0.01	SURFACE FINISH : Ra 1.6		
	NAME	DATE	SIGNATURE	SMP-JYD6-S straight pin connector (smooth bore)	
DRAWN					
CHK'D					
APPV'D					
MFG				DWG No.	REV.
PROJECTION			SIZE	SCALE	
			A3	16 : 1	
DO NOT SCALE THE DRAWING					PAGE 1 / 1