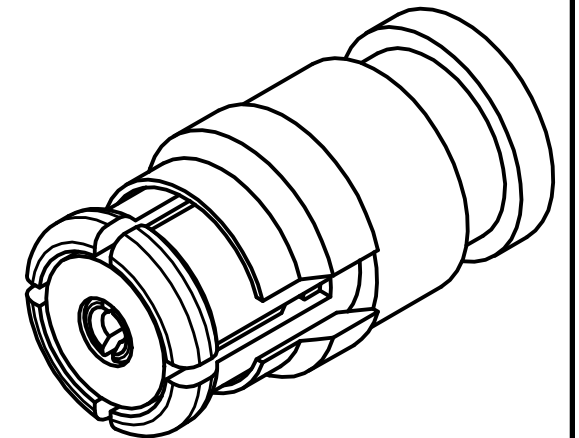
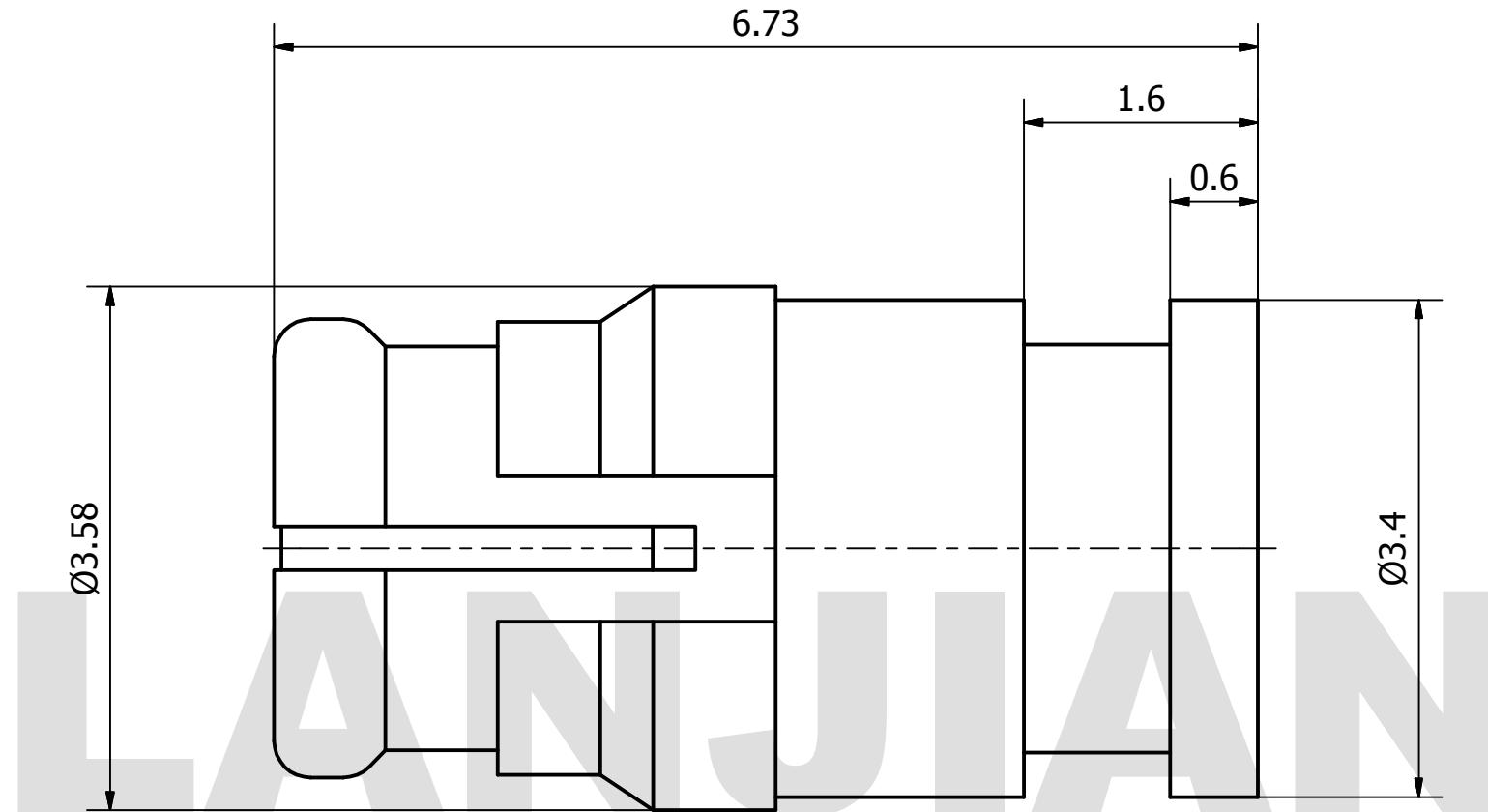


# PRODUCT DATA SHEET



**MATERIAL:**  
 BODY: BERYLLIUM COPPER PER ASTM B196.  
 ALLOY NO. UNS C17300  
 CONTACT: BERYLLIUM COPPER PER ASTM B196.  
 ALLOY NO. UNS C17300  
 INSULATOR: PTFE

**PERFORMANCE:**  
 IMPEDANCE: 50 OHMS  
 FREQUENCY: DC TO 40 GHz  
 VSWR: ≤1.35

THIS DOCUMENT CONTAINS CONFIDENTIAL AND PROPRIETARY INFORMATION THAT CANNOT BE REPRODUCED OR DIVULGED, IN WHOLE OR IN PART, WITHOUT WRITTEN AUTHORIZATION FROM "LANJIAN ELECTRONICS"	MATERIAL :			<b>LANJIAN ELECTRONICS</b> 38 Hengtong Road, Xinqu Dingmao Zhenjiang, 212009, Jiangsu, P. R. China	
	UNLESS OTHERWISE SPECIFIED: DIMENSIONS IN MM				
	TOLERANCES :				
	X.X	± 0.20	ANGULAR : ± 1°		DEBURR AND BREAK SHARP EDGES
	X.XX	± 0.10	FILLETS R/C : ± 0.10		
	X.XXX	± 0.01	SURFACE FINISH : Ra 1.6		
	NAME	DATE	SIGNATURE		
DRAWN	YaoJiang	03/13/2019			
CHK'D	HongZhongYan	03/13/2019			
APPV'D	HongZhongYan	03/13/2019			
MFG					
PROJECTION		SIZE	SCALE	SMP-K086R straight jack cable connector	
		A3	20 : 1		
DO NOT SCALE THE DRAWING			DWG No. GCPZ3.660.G.011 REV. A	PAGE 1 / 1	