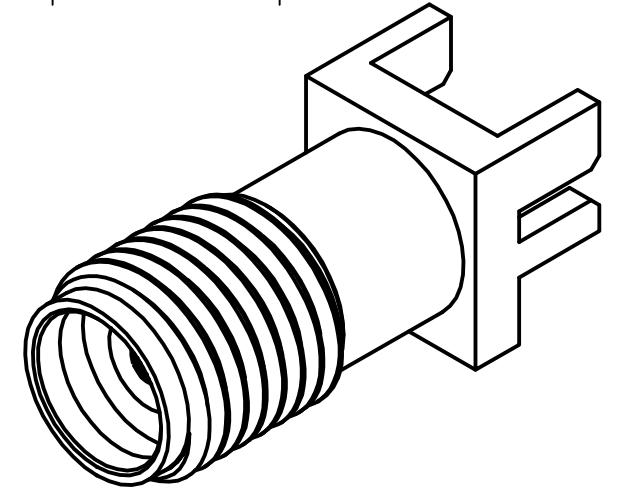
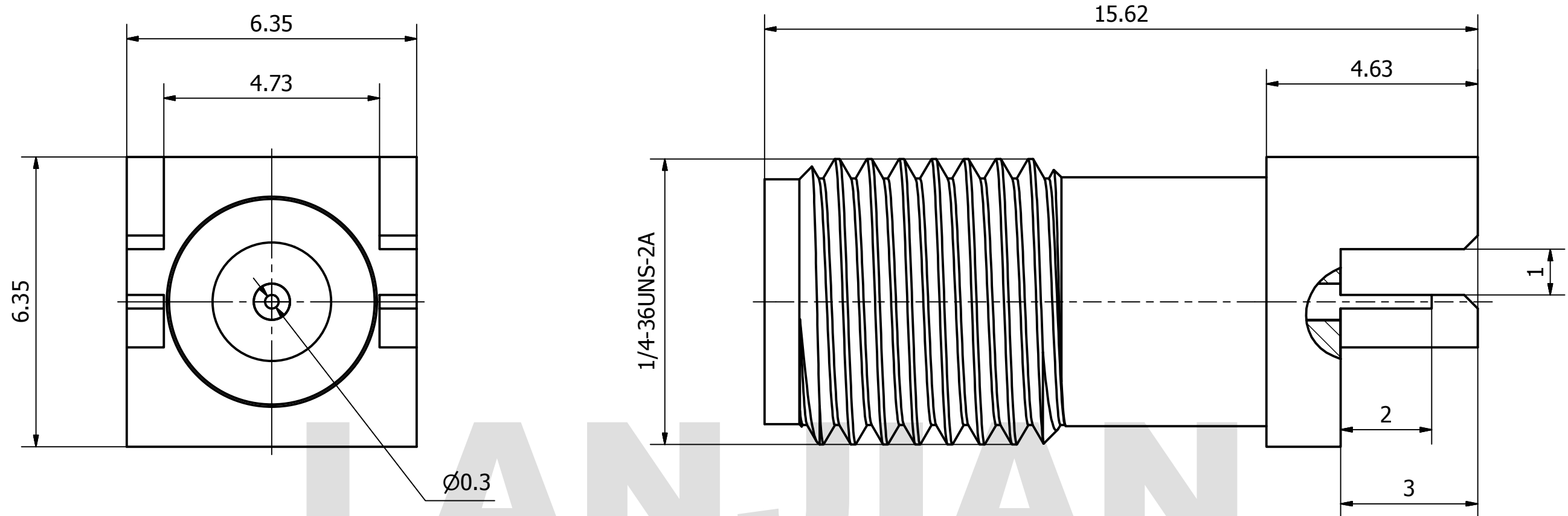


PRODUCT DATA SHEET



MATERIAL:
BODY: BRASS PER ASTM B16.
 ALLOY NO. UNS C36000
CONTACT: BERYLLIUM COPPER PER ASTM B196.
 ALLOY NO. UNS C17300
INSULATOR: PEI/PTFE

PERFORMANCE:
IMPEDANCE: 50 OHMS
FREQUENCY: DC TO 40 GHz
VSWR: ≤ 1.15

THIS DOCUMENT CONTAINS CONFIDENTIAL AND PROPRIETARY INFORMATION THAT CANNOT BE REPRODUCED OR DIVULGED, IN WHOLE OR IN PART, WITHOUT WRITTEN AUTHORIZATION FROM "LANJIAN ELECTRONICS"	MATERIAL :			LANJIAN ELECTRONICS 38 Hengtong Road, Xinqu Dingmao Zhenjiang, 212009, Jiangsu, P. R. China
	UNLESS OTHERWISE SPECIFIED: DIMENSIONS IN MM			
	TOLERANCES :			
	X.X	± 0.20	ANGULAR : $\pm 1^\circ$	DEBURR AND BREAK SHARP EDGES
	X.XX	± 0.10	FILLETS R/C : ± 0.10	
	X.XXX	± 0.01	SURFACE FINISH : Ra 1.6	
		NAME	DATE	SIGNATURE
	DRAWN			
	CHK'D			
	APPV'D			
MFG				
PROJECTION		SIZE	SCALE	DWG No. GCPZ3.660.C.026 DO NOT SCALE THE DRAWING
		A3	10 : 1	
				REV. PAGE 1 / 1

2.92-K-PCB03 jack connector