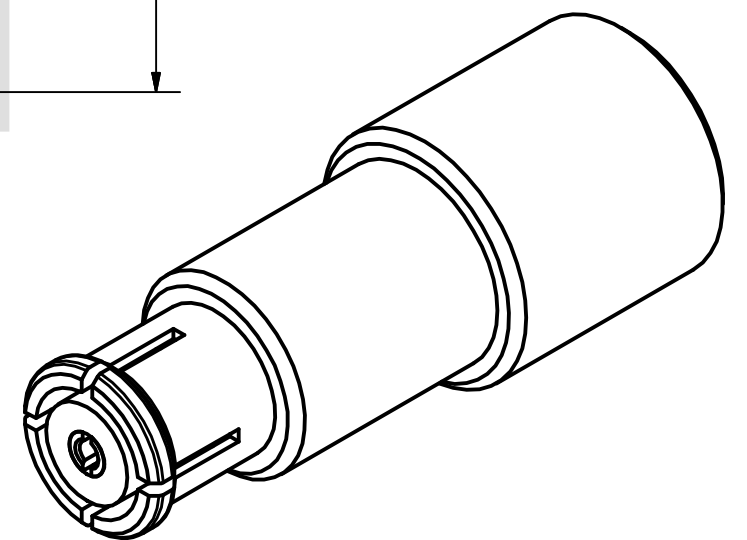
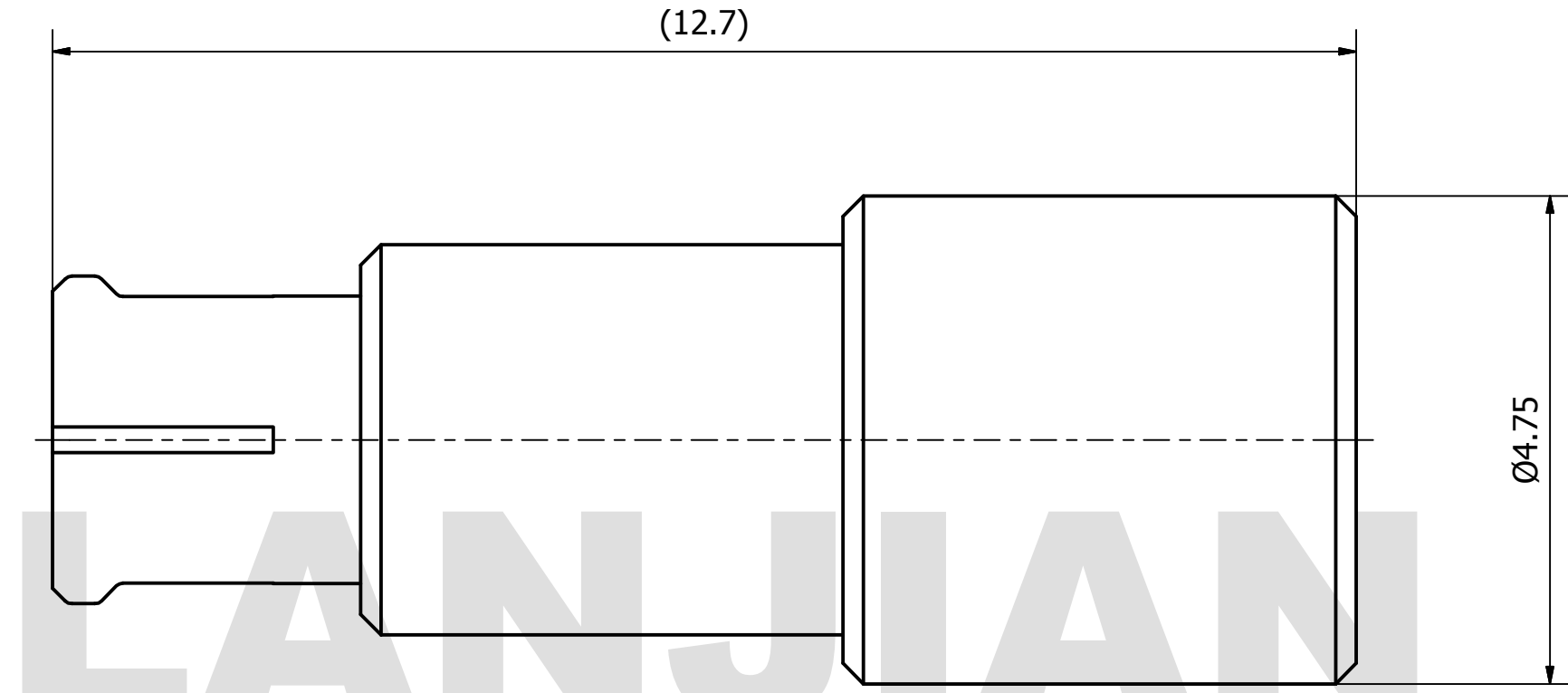


PRODUCT DATA SHEET



MATERIAL:
 BODY: BERYLLIUM COPPER PER ASTM B196.
 ALLOY NO. UNS C17300
 CONTACT: BERYLLIUM COPPER PER ASTM B196.
 ALLOY NO. UNS C17300
 INSULATOR: PTFE

PERFORMANCE:
 IMPEDANCE: 50 OHMS
 FREQUENCY: DC TO 40 GHz
 VSWR: ≤ 1.35 (DC-26.5 GHz)
 ≤ 1.70 (26.5-40 GHz)

THIS DOCUMENT CONTAINS CONFIDENTIAL AND PROPRIETARY INFORMATION THAT CANNOT BE REPRODUCED OR DIVULGED, IN WHOLE OR IN PART, WITHOUT WRITTEN AUTHORIZATION FROM "LANJIAN ELECTRONICS"	MATERIAL :			LANJIAN ELECTRONICS 38 Hengtong Road, Xinqu Dingmao Zhenjiang, 212009, Jiangsu, P. R. China		
	UNLESS OTHERWISE SPECIFIED: DIMENSIONS IN MM					
	TOLERANCES :			TITLE SMP-K LOAD		
	X.X	± 0.20	ANGULAR : ± 1°			DEBURR AND BREAK SHARP EDGES
	X.XX	± 0.10	FILLETS R/C : ± 0.10			
	X.XXX	± 0.01	SURFACE FINISH : Ra 1.6			
	NAME	DATE	SIGNATURE	DWG No. GCPZ3.660.G.009 DO NOT SCALE THE DRAWING		
DRAWN	YaoJiang	08/14/2018				
CHK'D	HongZhongYan	08/14/2018				
APPV'D	HongZhongYan	08/14/2018				
MFG				REV. A		
PROJECTION		SIZE	SCALE	PAGE 1 / 1		
		A3	15 : 1			