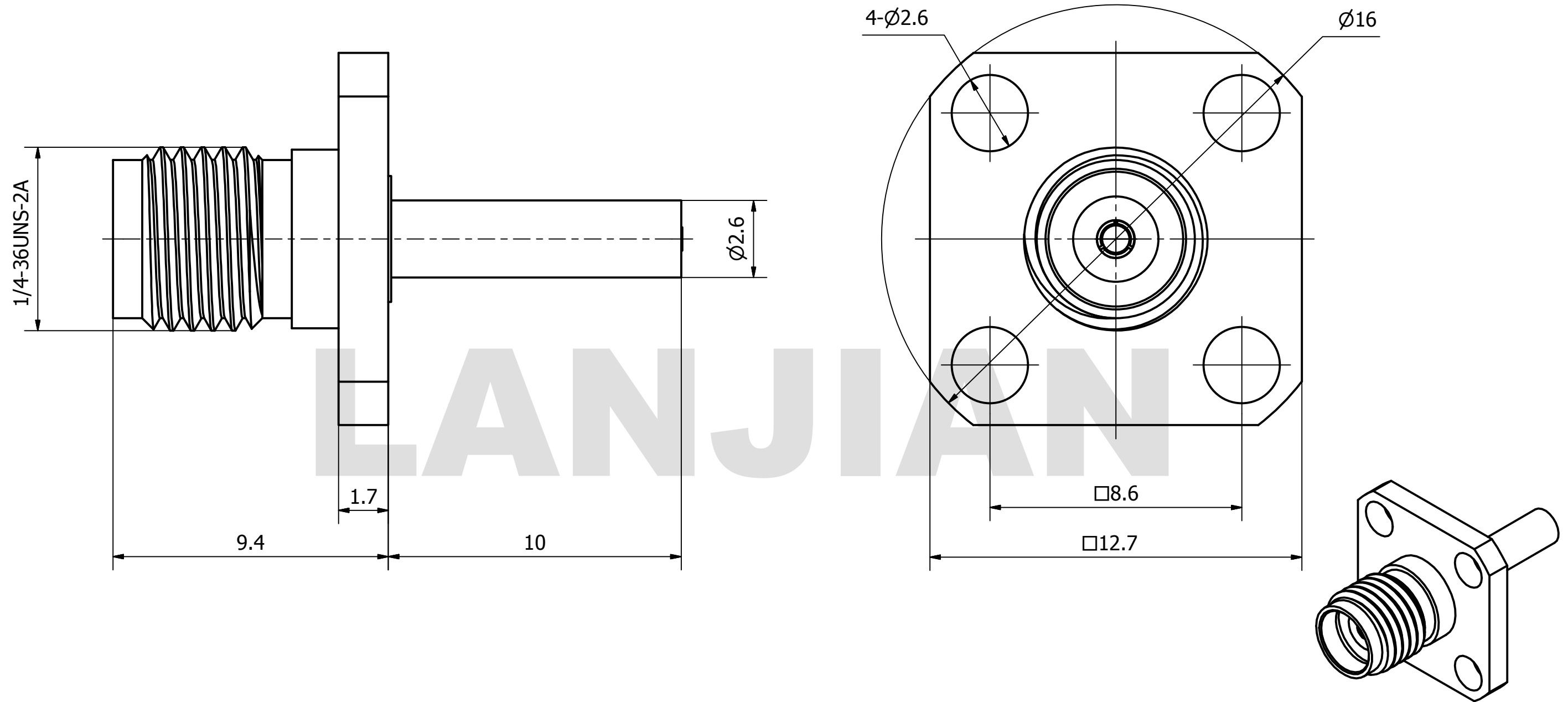


PRODUCT DATA SHEET



MATERIAL:

BODY: STAINLESS STEEL PER AMS-5640,
ALLOY UNS S30300

JACK: BERYLLIUM COPPER PER ASTM B196.
ALLOY NO. UNS C17300

INSULATOR: PTFE & PEI

PERFORMANCE:

IMPEDANCE: 50 OHMS

FREQUENCY: DC TO 40 GHz

VSWR: ≤1.30

THIS DOCUMENT CONTAINS CONFIDENTIAL AND PROPRIETARY INFORMATION THAT CANNOT BE REPRODUCED OR DIVULGED, IN WHOLE OR IN PART, WITHOUT WRITTEN AUTHORIZATION FROM "LANJIAN ELECTRONICS"	MATERIAL : UNLESS OTHERWISE SPECIFIED: DIMENSIONS IN MM			38 Hengtong Road, Xinqu Dingmao Zhenjiang, 212009, Jiangsu, P. R. China	
	TOLERANCES : X.X ±0.20 ANGULAR : ±1° DEBURR AND X.XX ±0.10 FILLETS R/C : ±0.10 BREAK SHARP X.XXX ±0.01 SURFACE FINISH : Ra 1.6 EDGES				
		NAME	DATE	SIGNATURE	TITLE 2.92-KFD5G straight connector
	DRAWN				
	CHK'D				
	APPV'D				
MFG				DWG No. GCPZ3.660.C.009 REV.	
PROJECTION SIZE SCALE A3 7 : 1			DO NOT SCALE THE DRAWING PAGE 1 / 1		