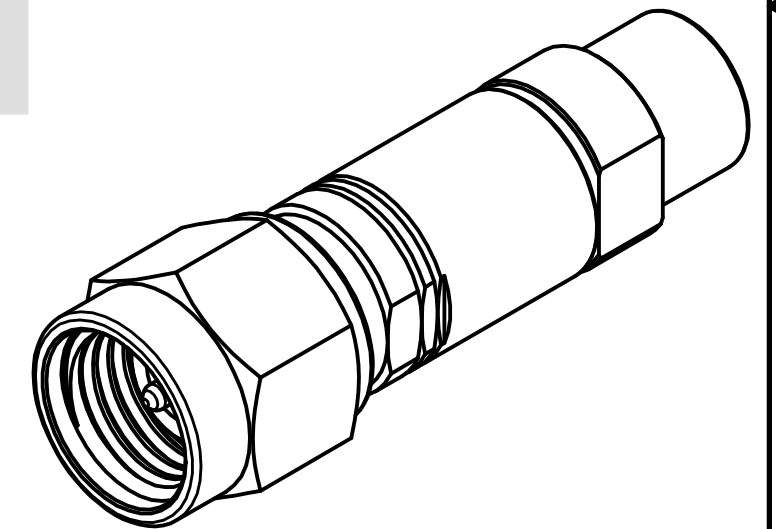
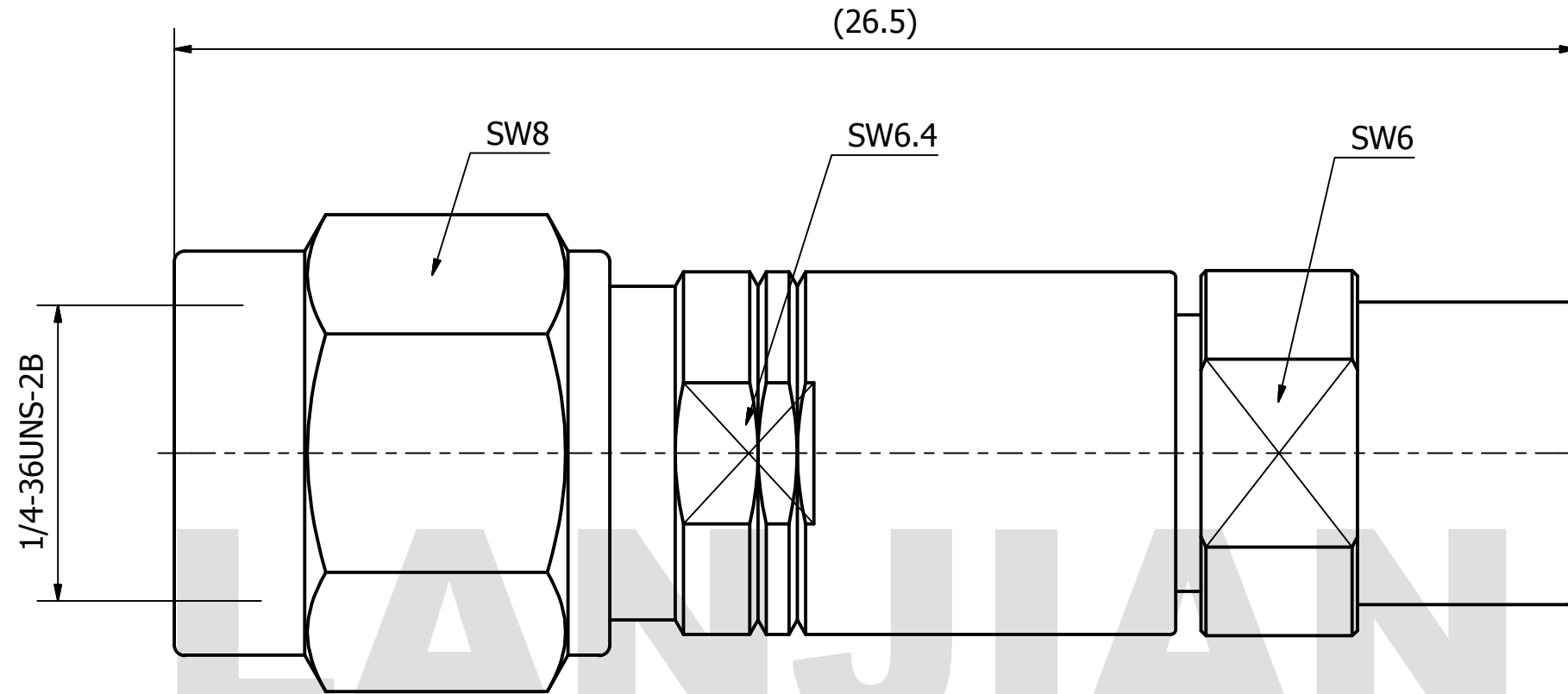


# PRODUCT DATA SHEET



**MATERIAL:**  
 BODY: STAINLESS STEEL PER AMS-5640,  
 ALLOY UNS S30300  
 CONTACT: BERYLLIUM COPPER PER ASTM B196.  
 ALLOY NO. UNS C17300  
 INSULATOR: PEI

**PERFORMANCE:**  
 IMPEDANCE: 50 OHMS  
 FREQUENCY: DC TO 40 GHz  
 VSWR: ≤1.35

THIS DOCUMENT CONTAINS CONFIDENTIAL AND PROPRIETARY INFORMATION THAT CANNOT BE REPRODUCED OR DIVULGED, IN WHOLE OR IN PART, WITHOUT WRITTEN AUTHORIZATION FROM "LANJIAN ELECTRONICS"	MATERIAL :			 38 Hengtong Road, Xinqu Dingmao Zhenjiang, 212009, Jiangsu, P. R. China	
	UNLESS OTHERWISE SPECIFIED: DIMENSIONS IN MM				
	TOLERANCES :				
	X.X	±0.20	ANGULAR : ±1°	DEBURR AND BREAK SHARP EDGES	
	X.XX	±0.10	FILLETS R/C : ±0.10		
	X.XXX	±0.01	SURFACE FINISH : Ra 1.6		
		NAME	DATE	SIGNATURE	
	DRAWN	YaoJiang	01/10/2019		
	CHK'D	HongZhongYan	01/10/2019		
	APPV'D	HongZhongYan	01/10/2019		
MFG					
PROJECTION		SIZE	SCALE	DWG No.	REV.
		A3	8 : 1	GCPZ3.650.C.034	A
DO NOT SCALE THE DRAWING				PAGE	1 / 1