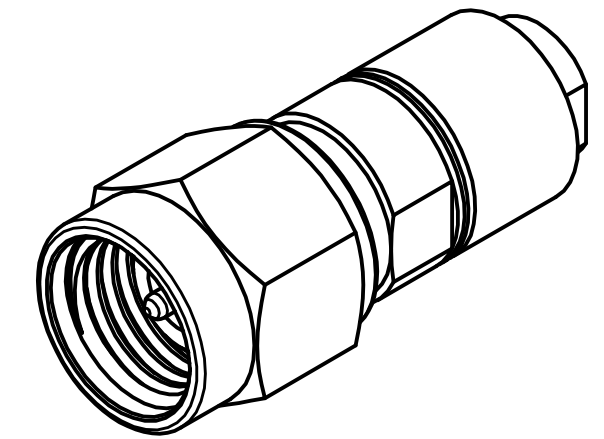
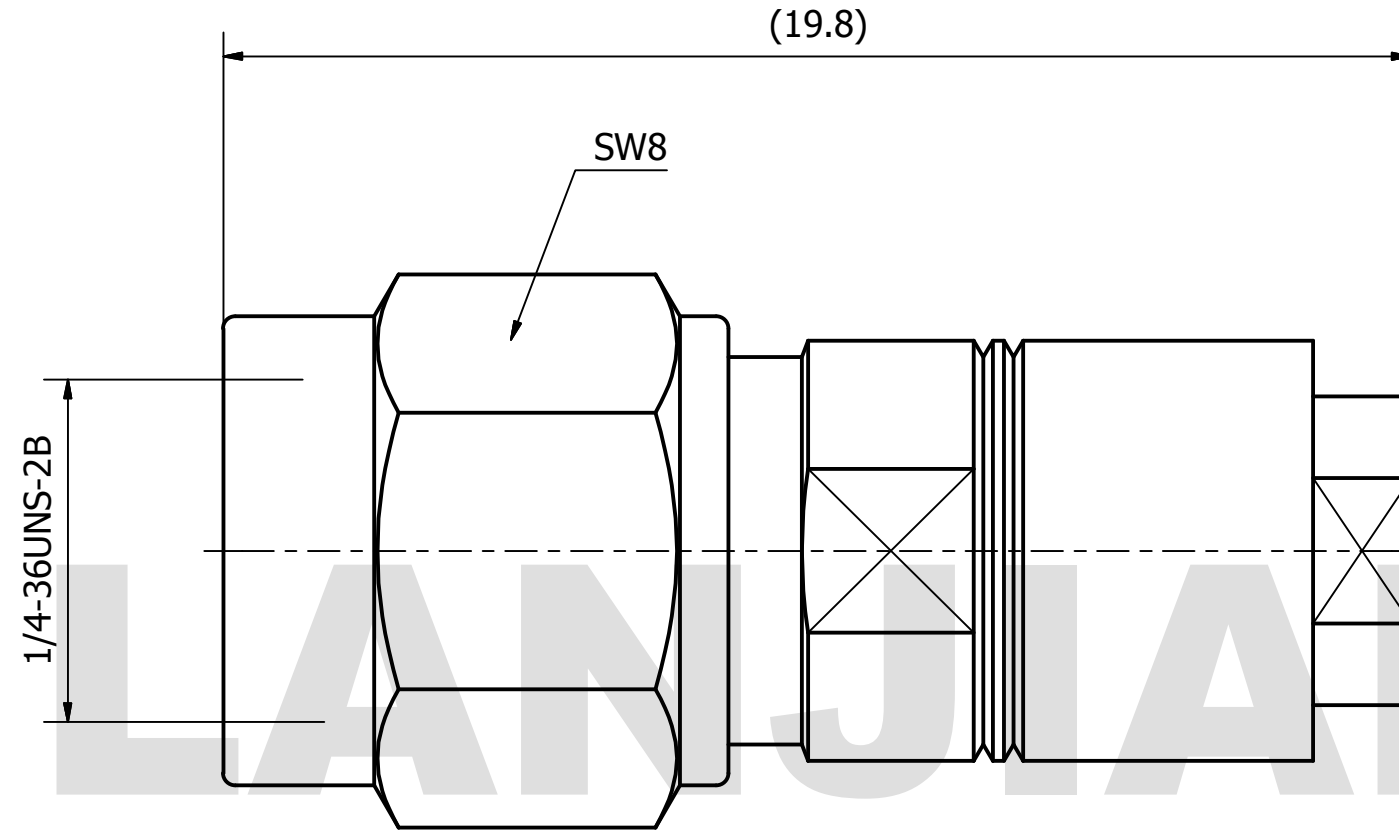


# PRODUCT DATA SHEET



**MATERIAL:**  
 BODY: STAINLESS STEEL PER AMS-5640,  
 ALLOY UNS S30300  
 CONTACT: BERYLLIUM COPPER PER ASTM B196.  
 ALLOY NO. UNS C17300  
 INSULATOR: PEI

**PERFORMANCE:**  
 IMPEDANCE: 50 OHMS  
 FREQUENCY: DC TO 40 GHz  
 VSWR:  $\leq 1.25$

THIS DOCUMENT CONTAINS CONFIDENTIAL AND PROPRIETARY INFORMATION THAT CANNOT BE REPRODUCED OR DIVULGED, IN WHOLE OR IN PART, WITHOUT WRITTEN AUTHORIZATION FROM "LANJIAN ELECTRONICS"	MATERIAL :		
	UNLESS OTHERWISE SPECIFIED: DIMENSIONS IN MM		
	TOLERANCES :		
	X.X	$\pm 0.20$	ANGULAR : $\pm 1^\circ$
	X.XX	$\pm 0.10$	FILLETS R/C : $\pm 0.10$
	X.XXX	$\pm 0.01$	SURFACE FINISH : Ra 1.6
			DEBURR AND BREAK SHARP EDGES
		NAME	DATE
	DRAWN	YaoJiang	01/10/2019
	CHK'D	HongZhongYan	01/10/2019
APPV'D	HongZhongYan	01/10/2019	
MFG			
PROJECTION		SIZE	SCALE
		A3	8 : 1

38 Hengtong Road, Xinqu Dingmao  
Zhenjiang, 212009, Jiangsu, P. R. China

TITLE <h2 style="margin: 0;">2.92-J3506-2</h2> <h3 style="margin: 0;">straight pin cable connector</h3>	
DWG No. GCPZ3.650.C.016-2	REV. A
DO NOT SCALE THE DRAWING	
PAGE 1 / 1	