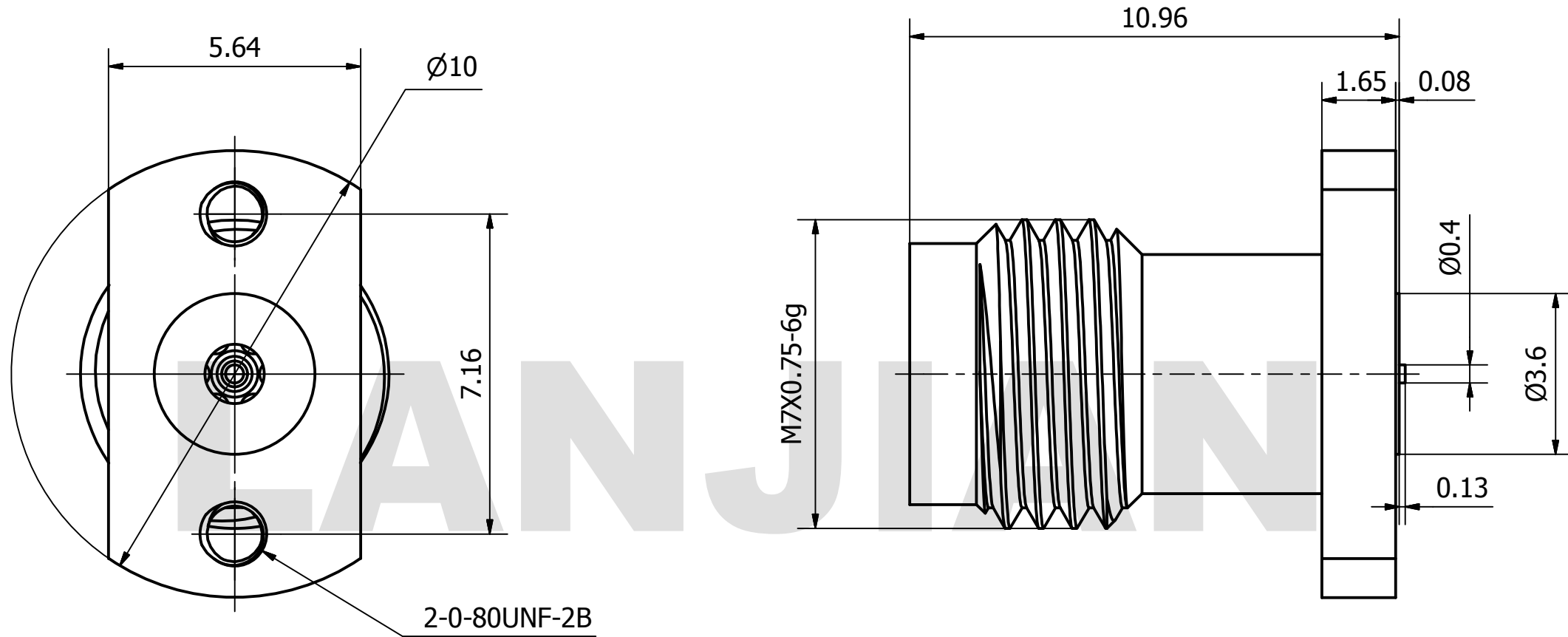


PRODUCT DATA SHEET



MATERIAL:
BODY: STAINLESS STEEL PER AMS-5640,
 ALLOY UNS S30300
CONTACT: BERYLLIUM COPPER PER ASTM B196.
 ALLOY NO. UNS C17300
INSULATOR: PEI
PERFORMANCE:
IMPEDANCE: 50 OHMS
FREQUENCY: DC TO 50 GHz
VSWR: ≤ 1.30

| | | | |
|--|--|--------------|------------------------------|
| THIS DOCUMENT CONTAINS CONFIDENTIAL AND PROPRIETARY INFORMATION THAT CANNOT BE REPRODUCED OR DIVULGED, IN WHOLE OR IN PART, WITHOUT WRITTEN AUTHORIZATION FROM "LANJIAN ELECTRONICS" | MATERIAL : | | |
| | UNLESS OTHERWISE SPECIFIED: DIMENSIONS IN MM | | |
| | TOLERANCES : | | |
| | X.X | ± 0.20 | ANGULAR : $\pm 1^\circ$ |
| | X.XX | ± 0.10 | FILLETS R/C : ± 0.10 |
| | X.XXX | ± 0.01 | SURFACE FINISH : Ra 1.6 |
| | | | DEBURR AND BREAK SHARP EDGES |
| | | NAME | DATE |
| | DRAWN | YaoJiang | 12/17/2018 |
| | CHK'D | HongZhongYan | 12/17/2018 |
| APPV'D | HongZhongYan | 12/17/2018 | |
| MFG | | | |
| PROJECTION | | SIZE | SCALE |
| | | A3 | 8 : 1 |

LANJIAN ELECTRONICS

38 Hengtong Road, Xinqu Dingmao
 Zhenjiang, 212009, Jiangsu, P. R. China

TITLE

2.4-KFD2-100040P
 straight jack PCB connector

| | |
|--------------------------|------------|
| DWG No. | REV. |
| GCPZ3.660.O.029 | A |
| DO NOT SCALE THE DRAWING | PAGE 1 / 1 |