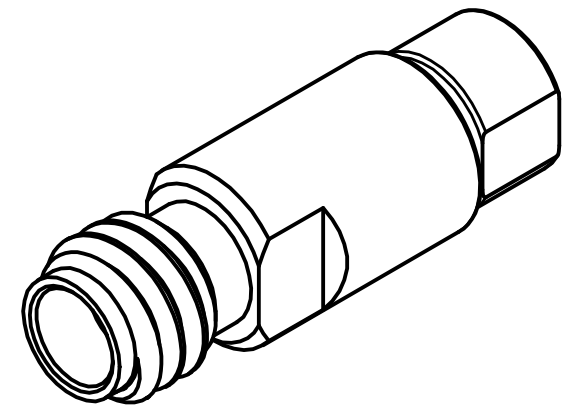
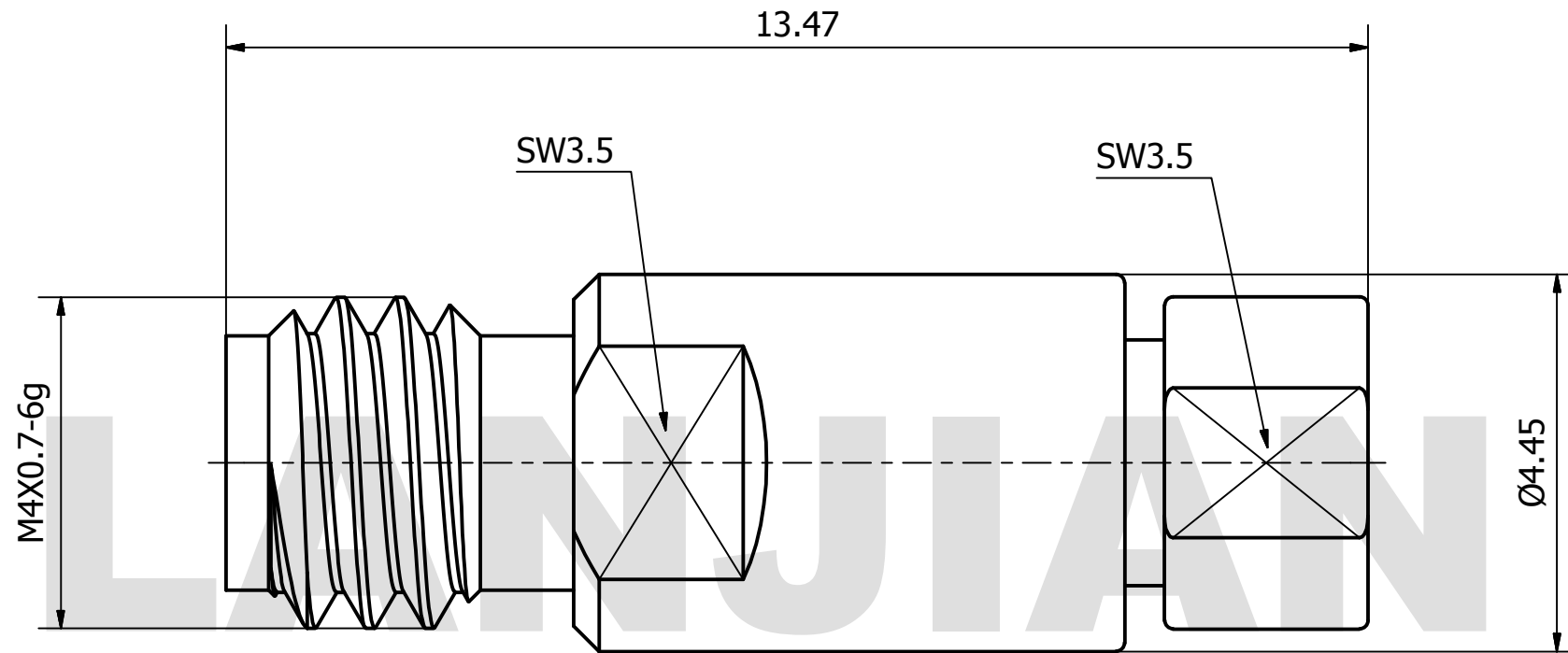


# PRODUCT DATA SHEET



**MATERIAL:**  
**BODY:** STAINLESS STEEL PER AMS-5640,  
 ALLOY UNS S30300  
**CONTACT:** BERYLLIUM COPPER PER ASTM B196.  
 ALLOY NO. UNS C17300  
**INSULATOR:** PEI

**PERFORMANCE:**  
**IMPEDANCE:** 50 OHMS  
**FREQUENCY:** DC TO 110 GHz  
**VSWR:** ≤1.50

THIS DOCUMENT CONTAINS CONFIDENTIAL AND PROPRIETARY INFORMATION THAT CANNOT BE REPRODUCED OR DIVULGED, IN WHOLE OR IN PART, WITHOUT WRITTEN AUTHORIZATION FROM "LANJIAN ELECTRONICS"	MATERIAL :		
	UNLESS OTHERWISE SPECIFIED: DIMENSIONS IN MM		
	TOLERANCES :		
	X.X	± 0.20	ANGULAR : ± 1°
	X.XX	± 0.10	FILLETS R/C : ± 0.10
	X.XXX	± 0.01	SURFACE FINISH : Ra 1.6
			DEBURR AND BREAK SHARP EDGES
		NAME	DATE
	DRAWN	YaoJiang	08/14/2018
	CHK'D	HongZhongYan	08/14/2018
APPV'D	HongZhongYan	08/14/2018	
MFG			
PROJECTION		SIZE	SCALE
		A3	12 : 1

**LANJIAN ELECTRONICS**

38 Hengtong Road, Xinqu Dingmao  
Zhenjiang, 212009, Jiangsu, P. R. China

---

TITLE

**1.0-K047**  
straight jack cable connector

---

DWG No. GCPZ3.660.V.001	REV. A
DO NOT SCALE THE DRAWING	PAGE 1 / 1