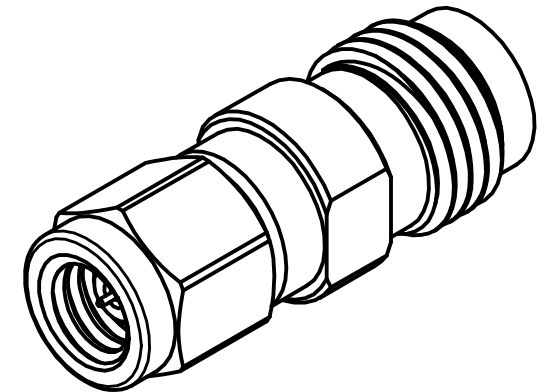
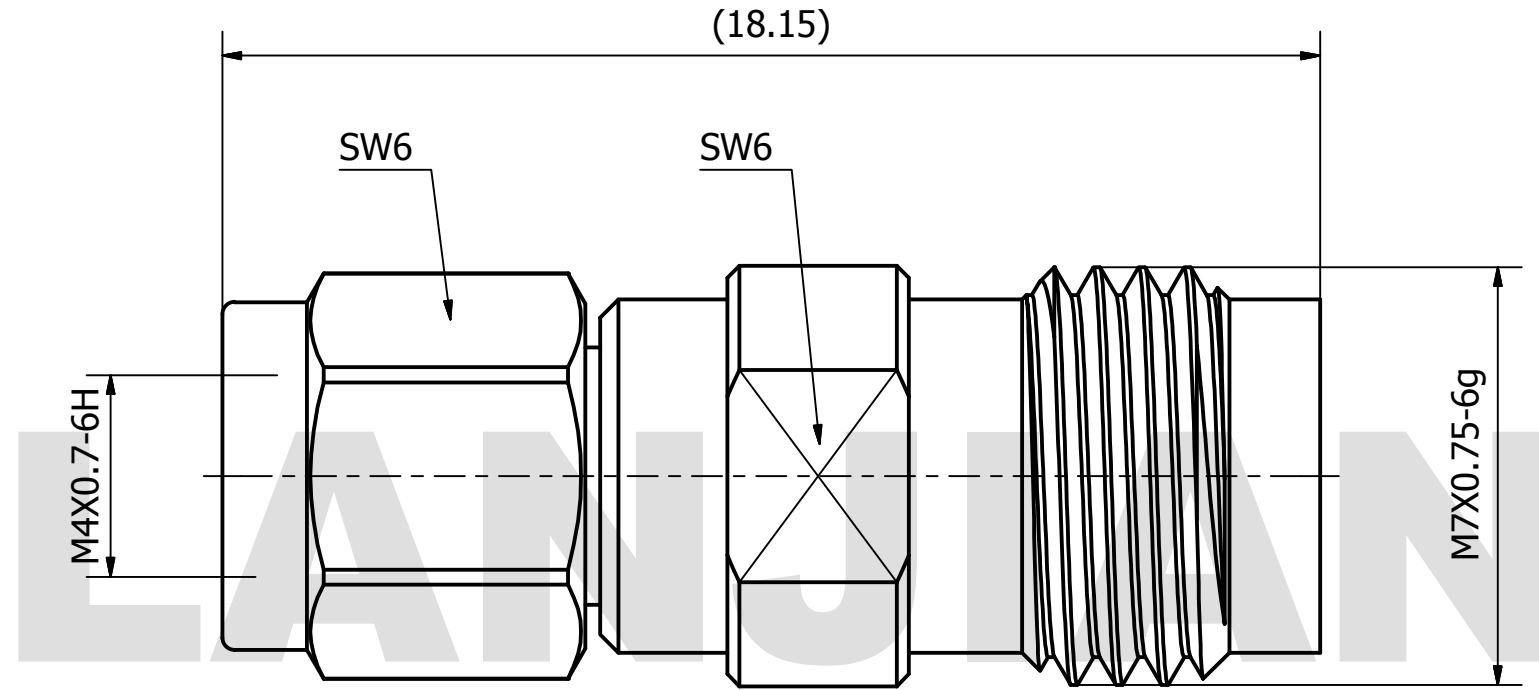


PRODUCT DATA SHEET



MATERIAL:
BODY: STAINLESS STEEL PER AMS-5640,
 ALLOY UNS S30300
CONTACT: BERYLLIUM COPPER PER ASTM B196.
 ALLOY NO. UNS C17300
INSULATOR: PEI

PERFORMANCE:
IMPEDANCE: 50 OHMS
FREQUENCY: DC TO 50 GHz
VSWR: ≤ 1.30

THIS DOCUMENT CONTAINS CONFIDENTIAL AND PROPRIETARY INFORMATION THAT CANNOT BE REPRODUCED OR DIVULGED, IN WHOLE OR IN PART, WITHOUT WRITTEN AUTHORIZATION FROM "LANJIAN ELECTRONICS"	MATERIAL :			LANJIAN ELECTRONICS 38 Hengtong Road, Xinqu Dingmao Zhenjiang, 212009, Jiangsu, P. R. China		
	UNLESS OTHERWISE SPECIFIED: DIMENSIONS IN MM					
	TOLERANCES :					
	X.X	± 0.20	ANGULAR : ± 1°	DEBURR AND BREAK SHARP EDGES		
	X.XX	± 0.10	FILLETS R/C : ± 0.10			
	X.XXX	± 0.01	SURFACE FINISH : Ra 1.6			
		NAME	DATE	SIGNATURE	1.0/2.4-JK straight adaptor	
DRAWN	YaoJiang	08/14/2018				
CHK'D	HongZhongYan	08/14/2018				
APPV'D	HongZhongYan	08/14/2018				
MFG				DWG No.	REV.	
PROJECTION			SIZE	SCALE	GCPZ3.640.V.016	A
			A3	8 : 1	DO NOT SCALE THE DRAWING	
					PAGE	1 / 1