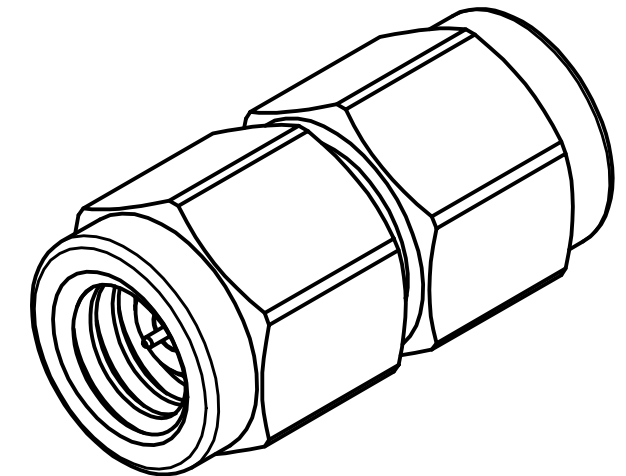
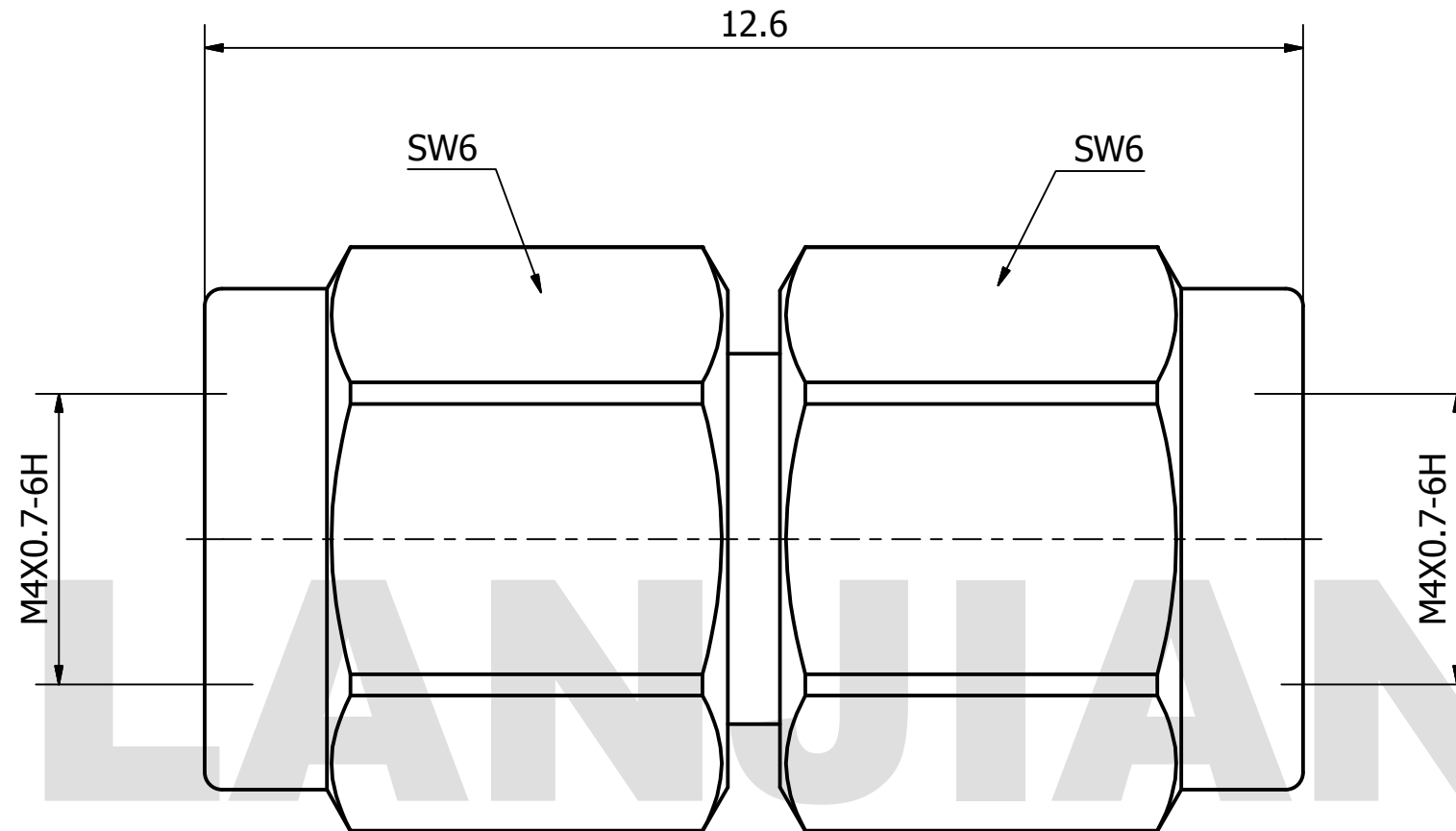


PRODUCT DATA SHEET



MATERIAL:
BODY: STAINLESS STEEL PER AMS-5640,
 ALLOY UNS S30300
CONTACT: BERYLLIUM COPPER PER ASTM B196.
 ALLOY NO. UNS C17300
INSULATOR: PEI

PERFORMANCE:
IMPEDANCE: 50 OHMS
FREQUENCY: DC TO 110 GHz
VSWR: ≤1.50

THIS DOCUMENT CONTAINS CONFIDENTIAL AND PROPRIETARY INFORMATION THAT CANNOT BE REPRODUCED OR DIVULGED, IN WHOLE OR IN PART, WITHOUT WRITTEN AUTHORIZATION FROM "LANJIAN ELECTRONICS"	MATERIAL :		
	UNLESS OTHERWISE SPECIFIED: DIMENSIONS IN MM		
	TOLERANCES :		
	X.X	±0.10	ANGULAR : ±30'
	X.XX	±0.05	FILLETS R/C : ±0.10
	X.XXX	±0.005	SURFACE FINISH : Ra 0.8
			DEBURR AND BREAK SHARP EDGES
		NAME	DATE
	DRAWN	YaoJiang	10/24/2018
	CHK'D	HongZhongYan	10/24/2018
APPV'D	HongZhongYan	10/24/2018	
MFG			
PROJECTION		SIZE	SCALE
		A3	12 : 1

LANJIAN ELECTRONICS	
38 Hengtong Road, Xinqu Dingmao Zhenjiang, 212009, Jiangsu, P. R. China	
TITLE	
1.0-JJ straight adaptor	
DWG No.	REV.
GCPZ3.640.V.007	A
DO NOT SCALE THE DRAWING	
PAGE 1 / 1	