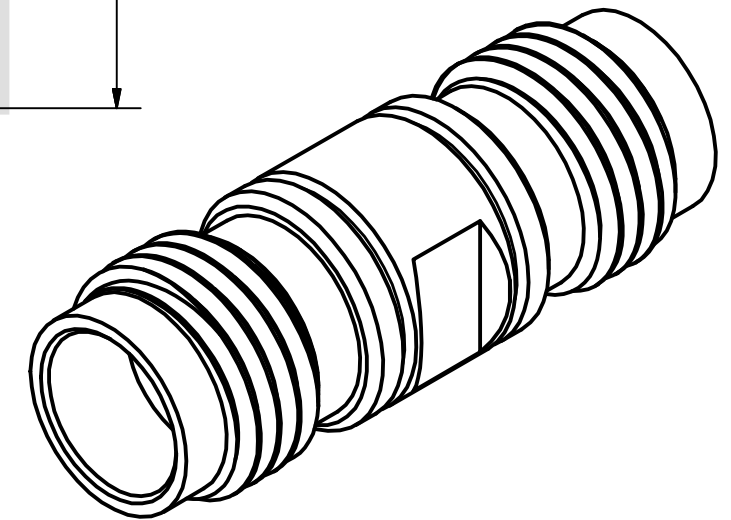
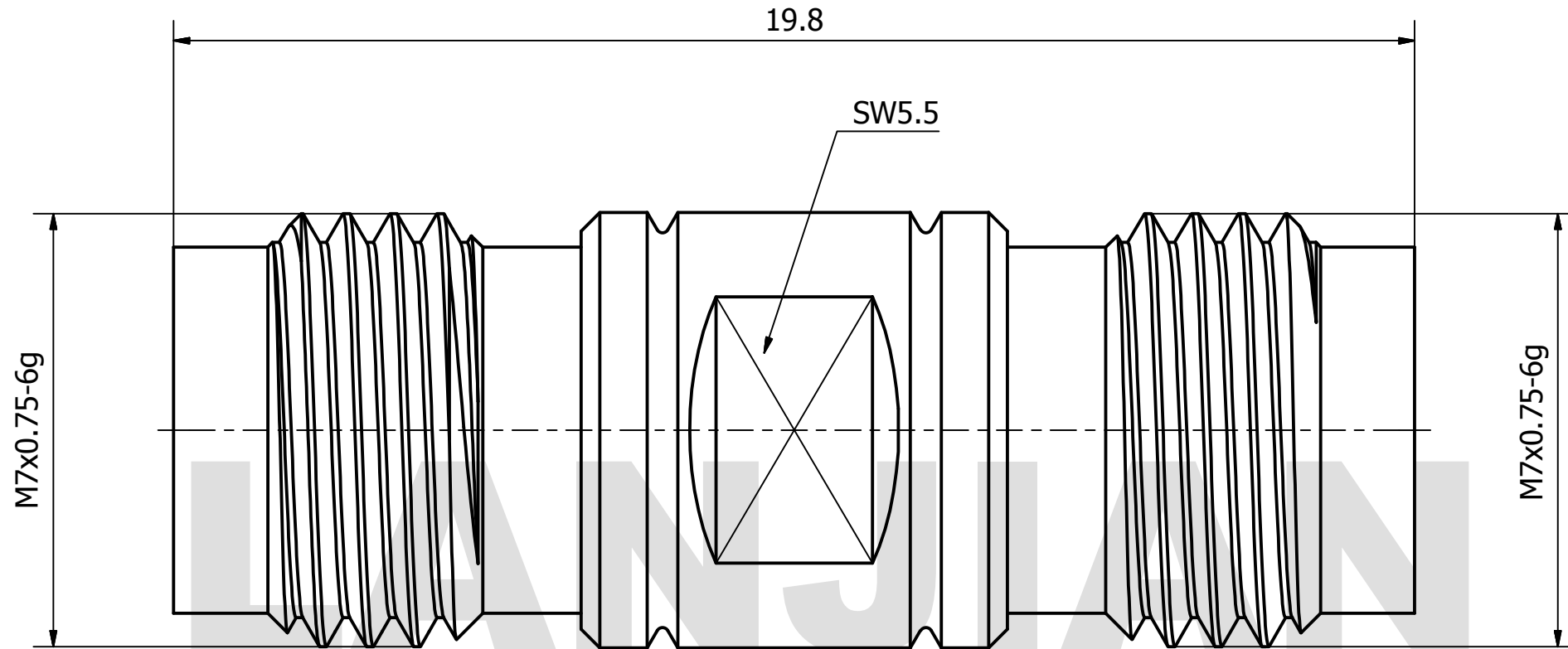


PRODUCT DATA SHEET



MATERIAL:
 BODY: STAINLESS STEEL PER AMS-5640,
 ALLOY UNS S30300
 CONTACT: BERYLLIUM COPPER PER ASTM B196.
 ALLOY NO. UNS C17300
 INSULATOR: ULTEM 1000

PERFORMANCE:
 IMPEDANCE: 50 OHMS
 FREQUENCY: DC TO 50GHZ
 VSWR: ≤ 1.20

THIS DOCUMENT CONTAINS CONFIDENTIAL AND PROPRIETARY INFORMATION THAT CANNOT BE REPRODUCED OR DIVULGED, IN WHOLE OR IN PART, WITHOUT WRITTEN AUTHORIZATION FROM "LANJIAN ELECTRONICS"	MATERIAL :			LANJIAN ELECTRONICS 38 Hengtong Road, Xinqu Dingmao Zhenjiang, 212009, Jiangsu, P. R. China		
	UNLESS OTHERWISE SPECIFIED: DIMENSIONS IN MM					
	TOLERANCES :			TITLE 2.4-KK straight adaptor		
	X.X	± 0.10	ANGULAR : $\pm 30^\circ$			DEBURR AND BREAK SHARP EDGES
	X.XX	± 0.05	FILLETS R/C : ± 0.10			
	X.XXX	± 0.005	SURFACE FINISH : Ra 0.8			
	NAME	DATE	SIGNATURE			
DRAWN						
CHK'D						
APPV'D						
MFG						
PROJECTION		SIZE	SCALE			
		A3	10 : 1			
DO NOT SCALE THE DRAWING					PAGE 1 / 1	