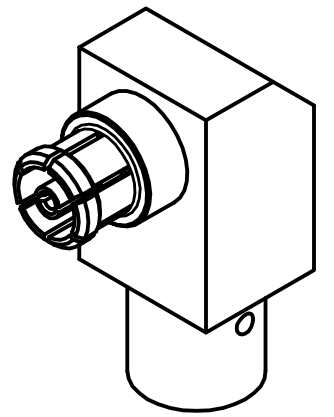
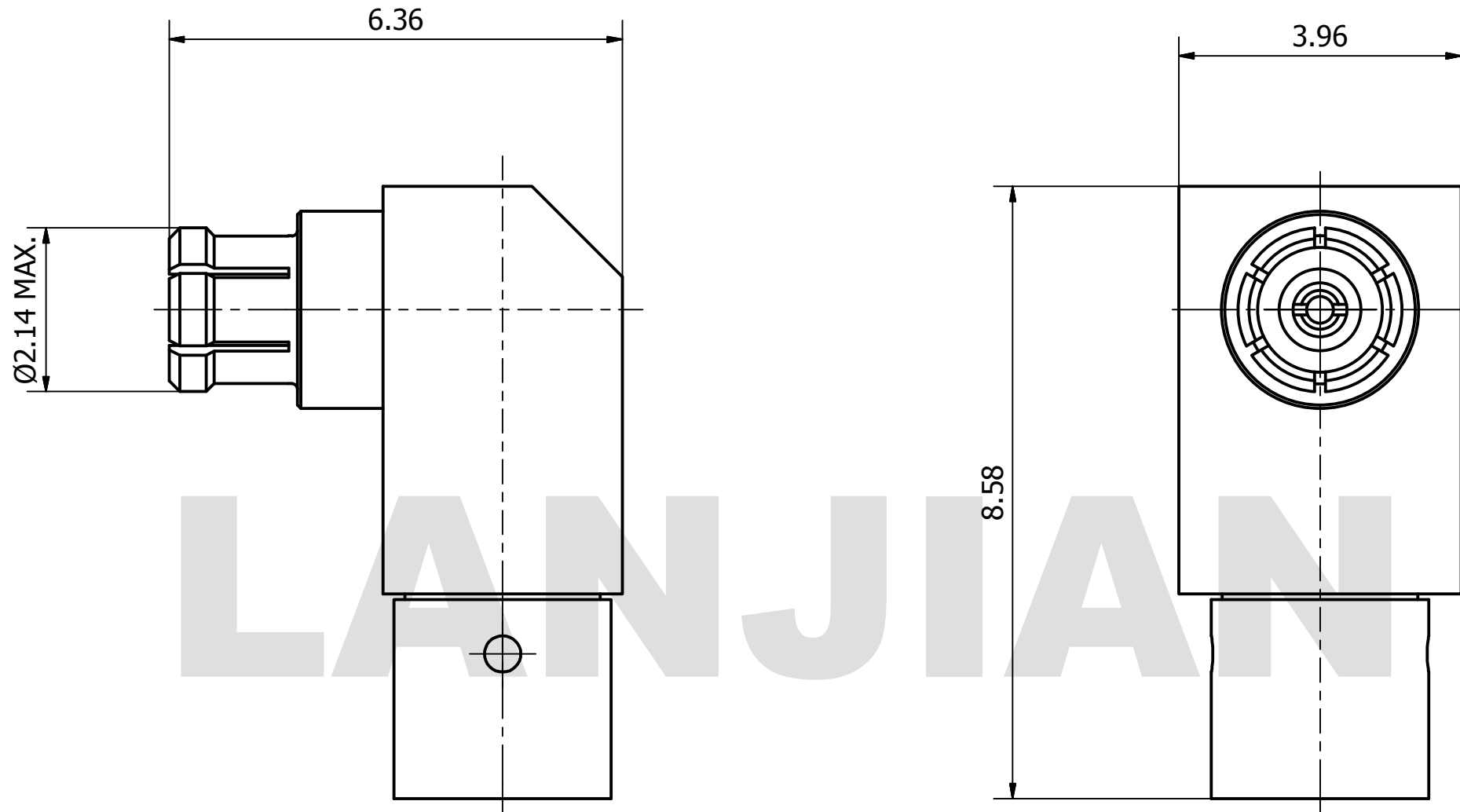


# PRODUCT DATA SHEET



**MATERIAL:**  
 BODY: BERYLLIUM COPPER PER ASTM B196.  
 ALLOY NO. UNS C17300  
 CONTACT: BERYLLIUM COPPER PER ASTM B196.  
 ALLOY NO. UNS C17300  
 INSULATOR: PTFE

**PERFORMANCE:**  
 IMPEDANCE: 50 OHMS  
 FREQUENCY: DC TO 40 GHz  
 VSWR: ≤ 1.35

THIS DOCUMENT CONTAINS CONFIDENTIAL AND PROPRIETARY INFORMATION THAT CANNOT BE REPRODUCED OR DIVULGED, IN WHOLE OR IN PART, WITHOUT WRITTEN AUTHORIZATION FROM "LANJIAN ELECTRONICS"

MATERIAL :			
UNLESS OTHERWISE SPECIFIED: DIMENSIONS IN MM			
TOLERANCES :			
X.X	± 0.10	ANGULAR : ± 30°	DEBURR AND BREAK SHARP EDGES
X.XX	± 0.05	FILLETS R/C : ± 0.10	
X.XXX	± 0.005	SURFACE FINISH : Ra 0.8	
	NAME	DATE	SIGNATURE
DRAWN	YaoJiang	08/14/2018	
CHK'D	HongZhongYan	08/14/2018	
APPV'D	HongZhongYan	08/14/2018	
MFG			
PROJECTION		SIZE	SCALE
		A3	12 : 1

**LANJIAN ELECTRONICS**  
 38 Hengtong Road, Xinqu Dingmao  
 Zhenjiang, 212009, Jiangsu, P. R. China

TITLE  
**SMPM-KW405 R/A jack connector**

DWG No. GCPZ3.660.H.007	REV. A
DO NOT SCALE THE DRAWING	
PAGE 1 / 1	