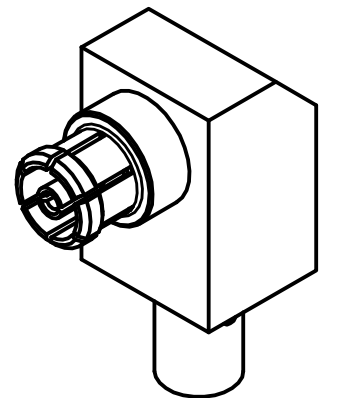
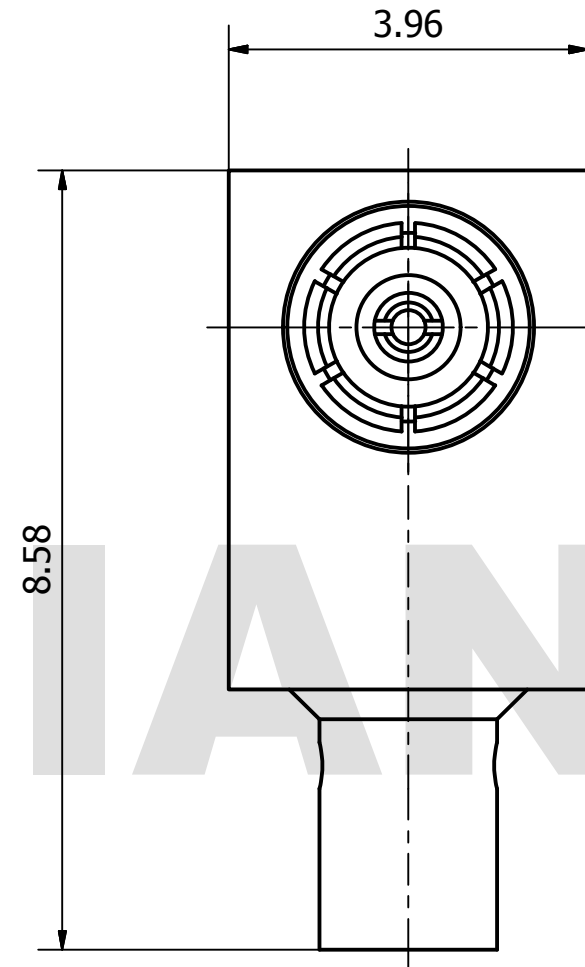
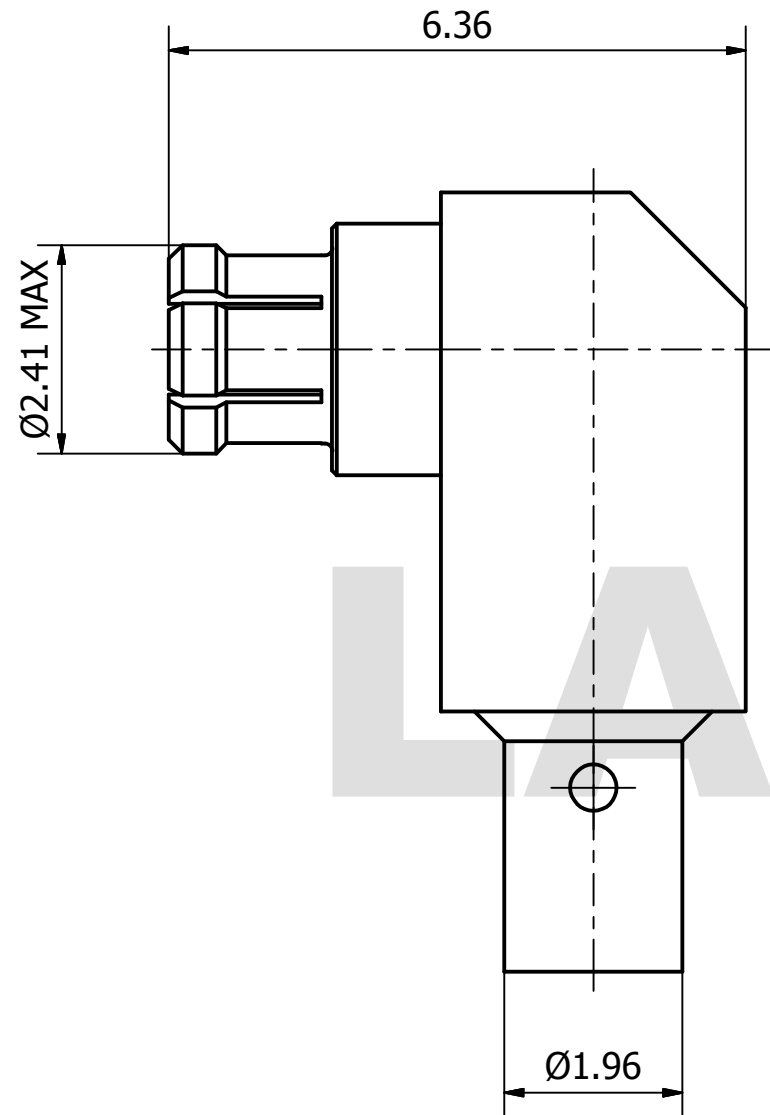


PRODUCT DATA SHEET



MATERIAL:
 BODY: BERYLLIUM COPPER PER ASTM B196.
 ALLOY NO. UNS C17300
 CONTACT: BERYLLIUM COPPER PER ASTM B196.
 ALLOY NO. UNS C17300
 INSULATOR: PTFE/PCTFE

PERFORMANCE:
 IMPEDANCE: 50 OHMS
 FREQUENCY: DC TO 40 GHz
 VSWR: ≤ 1.35

THIS DOCUMENT CONTAINS CONFIDENTIAL AND PROPRIETARY INFORMATION THAT CANNOT BE REPRODUCED OR DIVULGED, IN WHOLE OR IN PART, WITHOUT WRITTEN AUTHORIZATION FROM "LANJIAN ELECTRONICS"	MATERIAL :		
	UNLESS OTHERWISE SPECIFIED: DIMENSIONS IN MM		
	TOLERANCES :		
	X.X	± 0.10	ANGULAR : ± 30°
	X.XX	± 0.05	FILLETS R/C : ± 0.10
	X.XXX	± 0.005	SURFACE FINISH : Ra 0.8
			DEBURR AND BREAK SHARP EDGES
		NAME	DATE
	DRAWN	YaoJiang	12/07/2018
	CHK'D	HongZhongYan	12/07/2018
APPV'D	HongZhongYan	12/07/2018	
MFG			
PROJECTION	SIZE	SCALE	
	A3	12 : 1	

LANJIAN ELECTRONICS

38 Hengtong Road, Xinqu Dingmao
Zhenjiang, 212009, Jiangsu, P. R. China

TITLE

SMPPM-KW047
R/A jack connector

DWG No.	REV.
GCPZ3.660.H.010	A
DO NOT SCALE THE DRAWING	PAGE 1 / 1